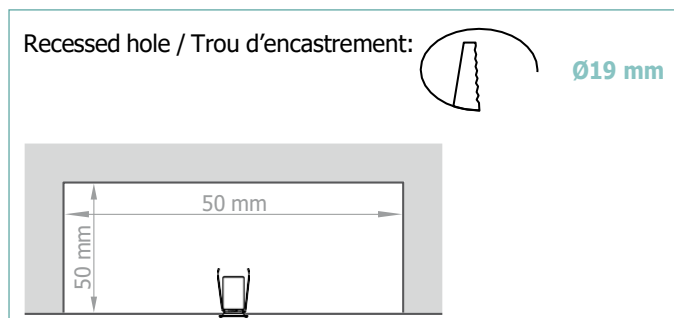
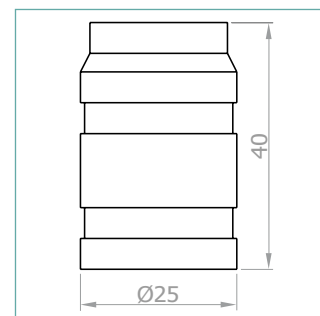
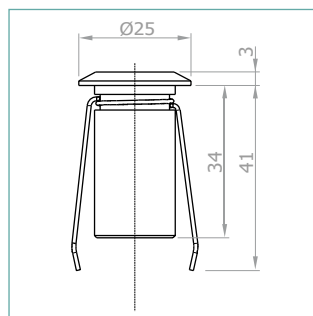




CALIBER 25XS



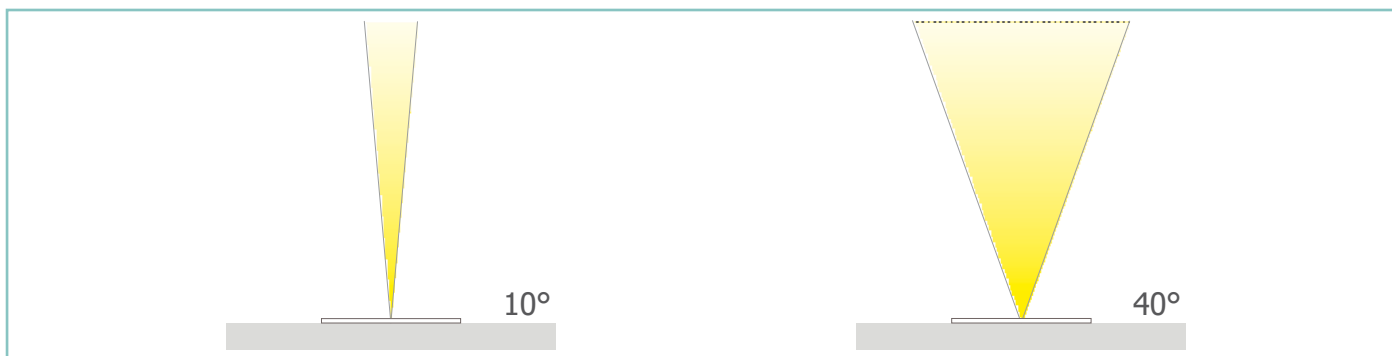
DESCRIPTION

Caliber 25 XS is an extremely efficient miniature in-ground LED up- light with a height of only 35mm, designed for optical excellence and engineered for complete resilience. Caliber 25 XS renders an additional draining system as unnecessary. Caliber 25 XS offers a choice of four colour temperatures as standard (2200K, 2700K, 3000K and 4000K) and delivers 90CRI for excellent colour rendering, and with binning-free LEDs carefully selected from two-step MacAdam's ellipses, colour consistency is assured throughout the unonovesette portfolio.

DESCRIPTION

Caliber 25 XS est un luminaire LED de petite taille d'une hauteur de seulement 35 mm, encastré dans le sol et extrêmement efficace, il est conçu avec des optiques excellentes pour une flexibilité complète. Le Caliber 25 XS offre un choix de quatre températures de couleur standard (2200K, 2700K, 3000K et 4000K), toutes avec un IRC supérieur à 90 pour un excellent rendu des couleurs. Binning-free et LED MacAdam en deux étapes garantissent la cohérence des couleurs dans toutes les versions fournies par unonovesette.

OPTICS / FAISCEAU:






CALIBER 25XS





TECHNICAL SHEET / FICHE PRODUIT:

| | | | |
|--------------------------------|--|--|--|
| Body: | Stainless Steel AISI316L - Anodized aluminium 6026 | Corps: | Acier INOX AISI316L - Alluminium 6026 |
| Glass: | Extra clear / frosted glass 2mm | Verre: | Verre extra clair / satiné 2mm |
| Finishes: | Stainless Steel AISI316L / Black anodized / Natural anodized | Finitions: | Acier INOX AISI316L / Anodisé Noir / Anodisé naturel |
| Installation: | Housing box / Fixing Springs | Installation: | Boîtier d'encastrement / Ressorts de montage |
| Power supply cables: | 35 cm NS20N PCP 2x0,5 mm ² | Câbles d'alimentation: | 35 cm NS20N PCP 2x0,5 mm ² |
| Power supply: | Constant Current 350mA Max | Alimentation: | Courant constant 350mA Max |
| Power consumption: | 1 Watt | Puissance absorbée: | 1 Watt |
| CRI: | >90 | IRC Indice de Rendu des Couleurs: | >90 |
| Bin selection: | Binning free 2 step MacAdam's | Sélection du bin: | Binning free 2 step MacAdam's |
| Lumenoutput (source): | 110 lm (3000K) | Flux de la source: | 110 lm (3000K) |
| Operating temperature: | -20°C +50°C | Température de fonctionnement: | -20°C +50°C |
| IP rating: | IP68 (not for permanent immersion) | Indice de protection: | IP68 (pas en immersion permanente) |
| Insulation class: | Class III | Classe d'isolation: | Classe III |
| Impact resistance: | IK05 | Indice de résistance: | IK05 |
| Weight: | 50 g | Poids: | 50 g |
| Optics: | 10° / 40° / Satin | Optiques: | 10° / 40° / Satiné |
| Energy rating: | A++ | Classe d'efficacité énergétique: | A++ |
| LED colour temperature: | 2200K / 2700K / 3000K / 4000K | Couleur LED: | 2200K / 2700K / 3000K / 4000K |
| Lifetime LED: | 100000 hrs | Durée moyenne LED: | 100000 hrs |
| Photo biological risk: | RG0 / RG1 | Sécurité photobiologique: | RG0 / RG1 |


FINISHES / FINITIONS:

 Stainless steel AISI316L
Acier INOX AISI316L

 Black anodized
Anodisé Noir

 Natural anodized
Anodisé naturel

PRODUCT CODE/CODE PRODUIT:

| CXS = CALIBER25 XS  | Select one component from each column to specify a complete configuration: Sélectionner un composant pour chaque colonne pour une configuration complète: | | |
|--|--|---|--------------------|
| | LED colour / Couleur LED | Optics / Faisceau | Finish / Finitions |
| 22 = 2200K 27 = 2700K 30 = 3000K 40 = 4000K | N = 10° W = 40° S = Satin/Satiné | 03 = Stainless steel/ Acier INOX AISI316L 05 = Black anodized / Anodisé Noir 07 = Natural anodized / Anodisé naturel | |

Standard configuration example/
Exemple de configuration standard:

CXS.30.N.03 Caliber 25 XS 3000K 10° optics stainless steel / Acier INOX



CALIBER 25XS



POWER SUPPLIES 350mA CONSTANT CURRENT / ALIMENTATEUR COURANT CONSTANT 350mA:

On / Off

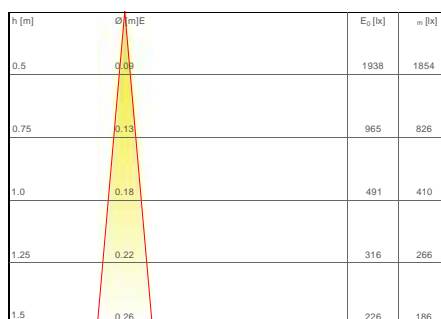
| Code / Code | Input | I Out | V Out | Watt | IP | #Caliber XS |
|-------------|---------------------|-------|-------|------|------|-------------|
| PSU.CC.002 | 100÷240V / 50/60 Hz | 350mA | 36 V | 12 | IP20 | Max 9 |
| PSU.CC.003 | 100÷240V / 50/60 Hz | 350mA | 43 V | 15 | IP20 | Max 12 |
| PSU.CC.014 | 100÷240V / 50/60 Hz | 350mA | 24 V | 8 | IP20 | Max 6 |
| PSU.CX.004 | 110÷240V / 50/60 Hz | 350mA | 43 V | 15 | IP20 | Max 12 |

Dimmable / Gradable

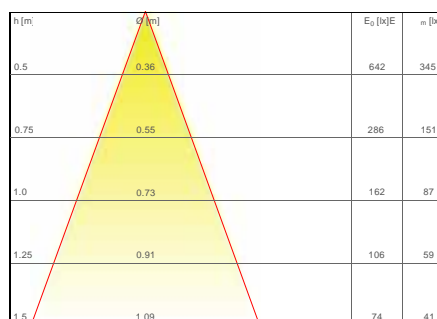
| Code / Code | Input | I Out | V Out | Watt | IP | #Caliber XS |
|--------------------------|---------------------|-------|-------|------|------|-------------|
| PSU.CX.001 1-10V/PUSH | 110÷240V / 50/60 Hz | 350mA | 47 V | 15 | IP20 | Max 12 |
| PSU.CX.002 DALI | 110÷240V / 50/60 Hz | 350mA | 47 V | 15 | IP20 | Max 12 |

PHOTOMETRICS / COURVES PHOTOMETRIQUE:

10° - 1 Watt



40° - 1 Watt



ACCESSORIES / ACCESSOIRES

| | | |
|---|---|---|
| <p>Housing Box Boîtier d'encastrement HB.005 (10 g)</p> | <p>Fixing springs Ressorts de montage ACC.049</p> | <p>Cable Câble CV00037 5m CV00040 10m CV00041 15m CV00042 20m CV00043 25m</p> |
|---|---|---|