

VARIO 60 P HV

TECHNICAL DATASHEET

PROJECT INFORMATION

Project Name:

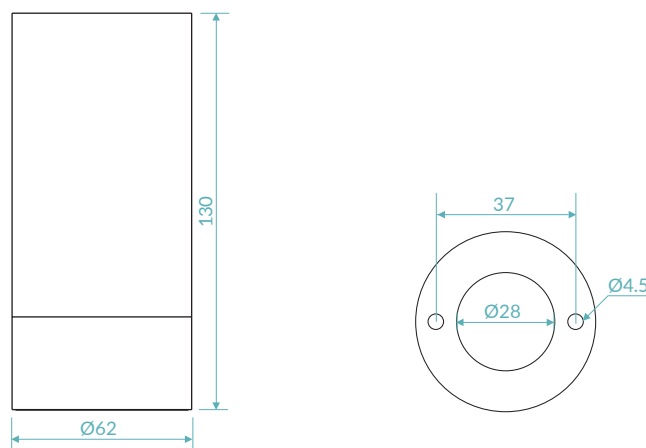
Reference:

Quantity:



CE  IP66
MADE IN ITALY

TECHNICAL DRAWING



Measure unit: mm

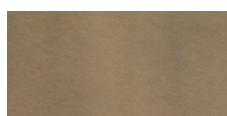
FINISHES



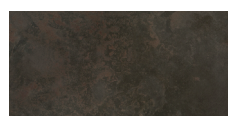
.05
Black anodized



.07
Natural anodized




.10
Aged solid brass



.21
Pre-aged solid brass

PRODUCT CODE

V6PH = VARIO 60 P HV	Select one component from each column to specify a complete configuration:			
	LED colour 27 = 2700K 30 = 3000K 40 = 4000K	Optics N = 10° M = 30° W = 50° E = 10°x45°	Finish 05 = Black anodized 07 = Natural anodized 10 = Aged solid brass 21 = Pre-aged solid brass	Power 09 = 9W

Standard configuration example:

V6PH.30.N.07.09 | Vario 60 P HV 3000K 10° optics natural anodized 9W

TECHNICAL SHEET

LIGHTING CHARACTERISTICS

Color Rendering Index	CRI > 90
Lumen output (source)	896 lm (3000K)
Lumen output (delivered)	590 lm (3000K)
Optics	10° / 30° / 50° / 10°x45°
LED colour temperature	2700K / 3000K / 4000K
LED lifetime	50000h L95 B10 (Ta 25°C)
Bin selection	Binning free 2 step MacAdam's

MECHANICAL CHARACTERISTICS

Body	Anodized aluminium 6026 / Solid brass
Glass	Extra clear tempered glass 5mm
Finishes	Black anodized / Natural anodized / Aged solid brass / Pre-aged solid brass
Installation	Surface mounted
Impact resistance	IK08
Weight	570g

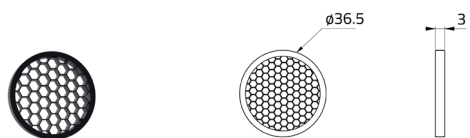
ELECTRICAL CHARACTERISTICS

Power supply	220 - 230 Vac 50/60 Hz
Power supply cables	10cm 3x1mm ²
Power consumption	9 Watt
Dimmable	Dimmable Triac

GENERAL CHARACTERISTICS

Operating temperature	-20°C + 50°C
IP rating	IP66
Insulation class	Class I
Photobiological risk	RG0 / RG1

ACCESSORIES



Honeycomb louver

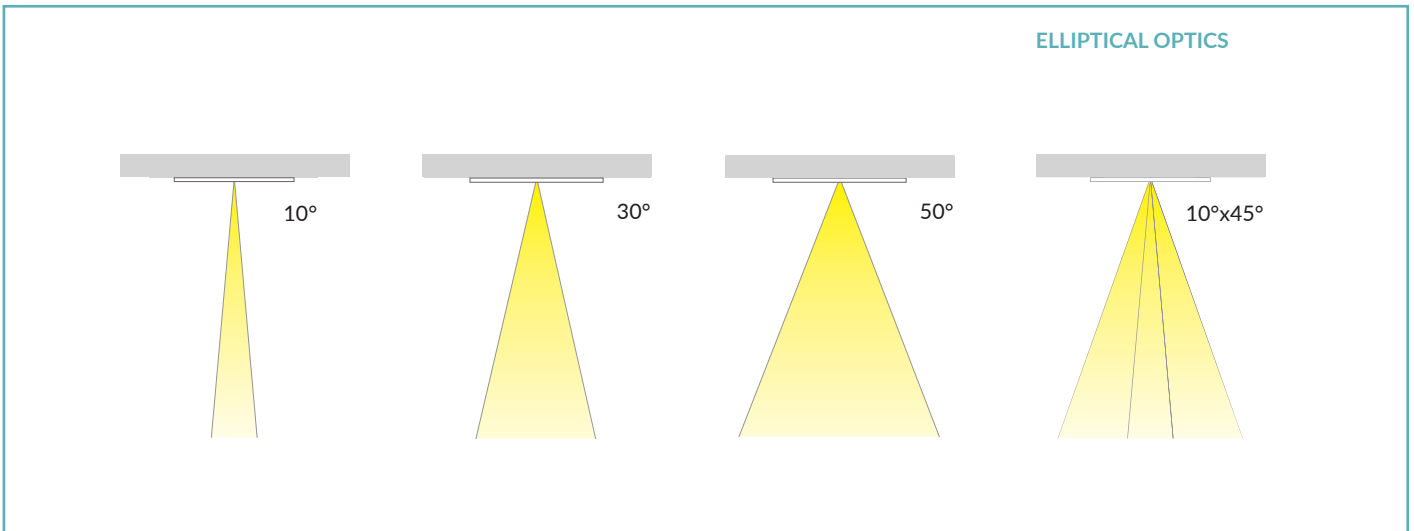
Art. Nr.
ACC.004



Anti-Glare louver

Art. Nr.
ACC.073

OPTICS



PHOTOMETRICS

