



# VARIO 60 MONO HV

TECHNICAL DATASHEET

## PROJECT INFORMATION

Project Name:

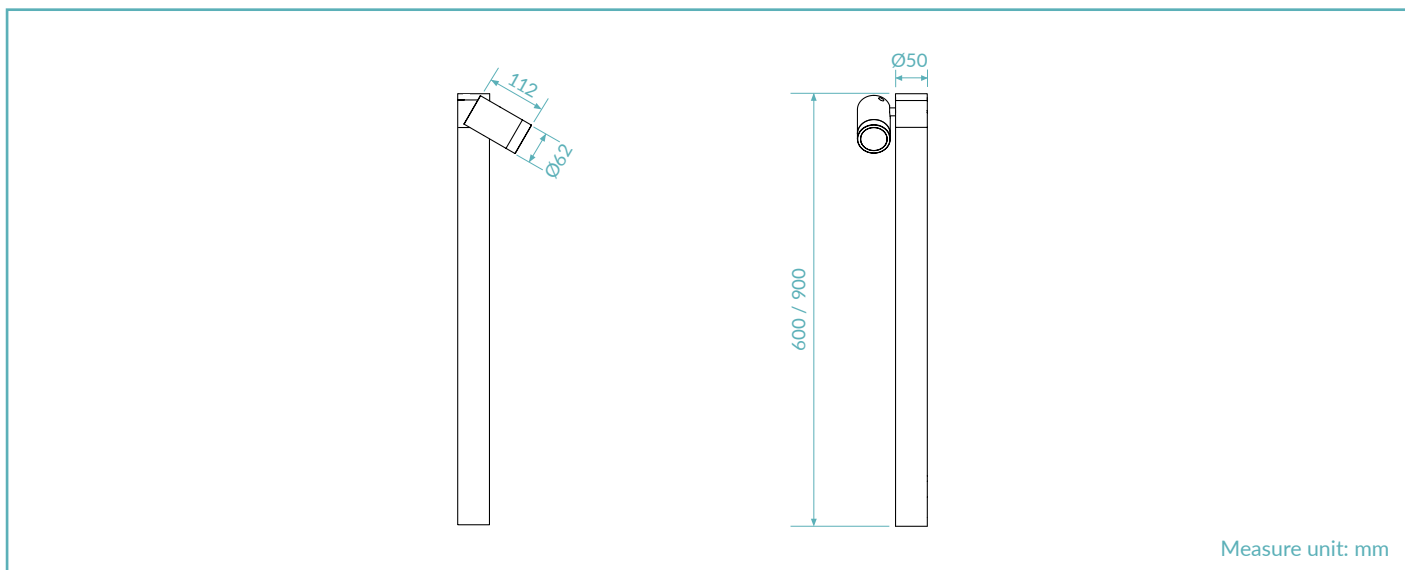
Reference:

Quantity:



IP66  
MADE IN ITALY

## TECHNICAL DRAWING



## FINISHES



.05  
Black anodized

## PRODUCT CODE

### V6MH = VARIO 60 MONO HV

Select one component from each column to specify a complete configuration:

LED colour	Optics	Finish	Length	Power
22 = 2200K 25 = 2450K 27 = 2700K 30 = 3000K 40 = 4000K	N = 10° M = 30° W = 50° E = 10°x45° X = 45°x10°	05 = Black anodized	60 = 600mm 90 = 900mm	05D = 5W DALI 05O = 5W On/Off

Standard configuration example:

**V6MH.22.W.05.90.05D** | Vario 60 Mono HV 2200K 50° optics black anodized 900mm 5W DALI

## TECHNICAL SHEET

### LIGHTING CHARACTERISTICS

Color Rendering Index	CRI > 90
Lumen output (source)	630 lm (3000K)
Lumen output (delivered)	398 lm (3000K)
Optics	10° / 30° / 50° / 10°x45° / 45°x10°
LED colour temperature	2200K / 2450K / 2700K / 3000K / 4000K
LED lifetime	50000h L95 B10 (Ta 25°C)
Bin selection	Binning free 2 step MacAdam's

### MECHANICAL CHARACTERISTICS

Body	Anodized aluminium 6026
Glass	Extra clear tempered glass 6mm
Finishes	Black anodized
Installation	Mounting plate / Base with anchor bolts
Impact resistance	IK08
Weight	1.44kg (with bollard h600mm) / 1.81kg (with bollard h900mm)

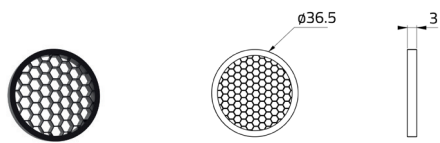
### ELECTRICAL CHARACTERISTICS

Power supply	220÷230Vac - 50/60Hz
Power supply cables	Max 30cm H05RN-F 3x0,75mm <sup>2</sup>
Power consumption	5 Watt
Dimmable	DALI / On/Off

### GENERAL CHARACTERISTICS

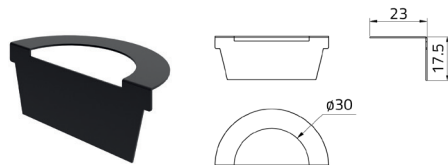
Operating temperature	-20°C +50°C
IP rating	IP66
Insulation class	Class I
Photobiological risk	RG0/RG1

ACCESSORIES



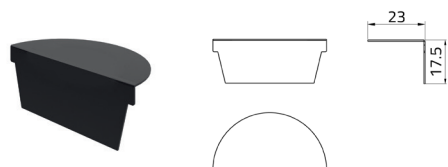
Honeycomb louver

Art. Nr.  
ACC.004



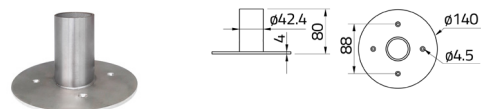
Anti-Glare louver

Art. Nr.  
ACC.073



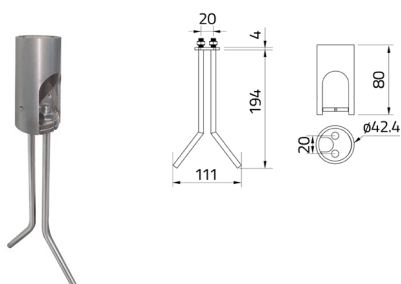
Anti-Glare louver

Art. Nr.  
ACC.088



Mounting plate

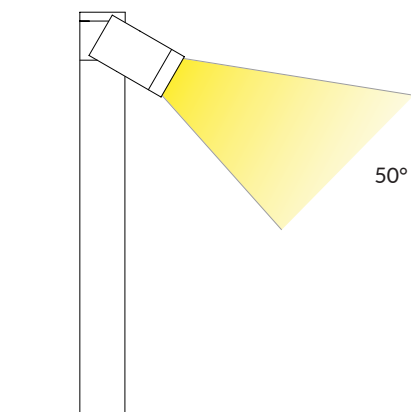
Art. Nr.  
ACC.202



Base with anchor bolts

Art. Nr.  
ACC.203

## OPTICS



Optics example