



VARIO 40 P

TECHNICAL DATASHEET

PROJECT INFORMATION

Project Name:

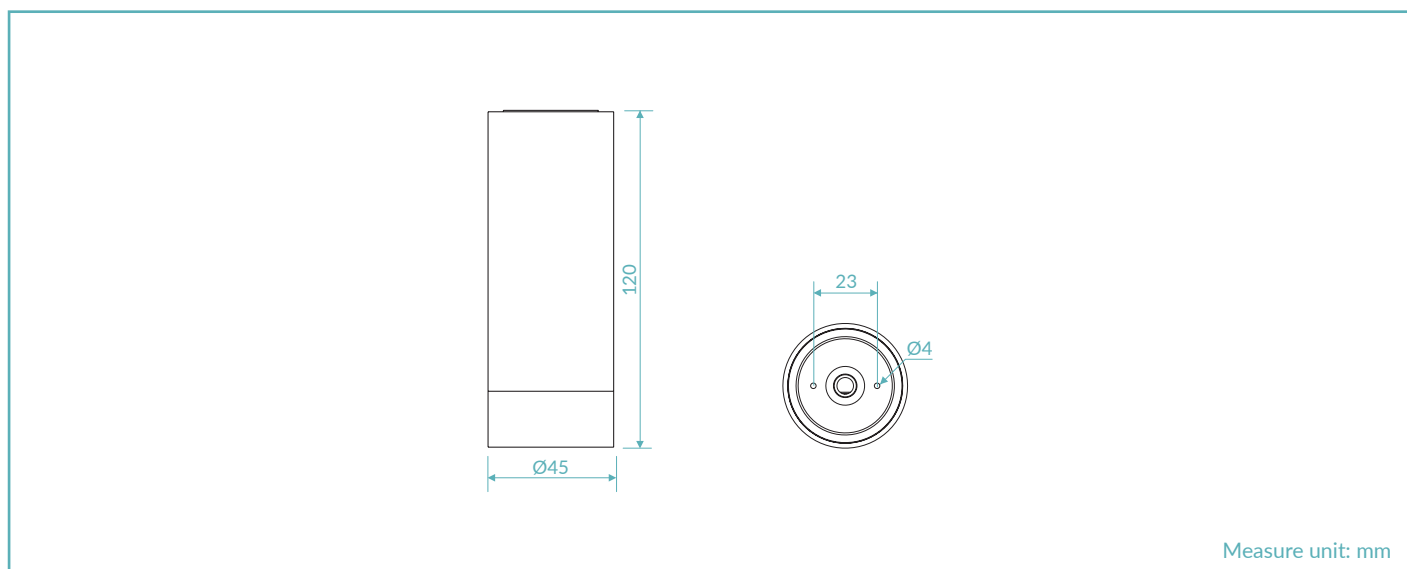
Reference:

Quantity:



MADE IN ITALY


TECHNICAL DRAWING



FINISHES



PRODUCT CODE

V40P = VARIO 40 P	Select one component from each column to specify a complete configuration:			
	LED colour	Optics	Finish	Power
	22 = 2200K 25 = 2450K 27 = 2700K 30 = 3000K 40 = 4000K	N = 10° M = 23° W = 43° E = 10°x40°	01 = White RAL 9003 05 = Black anodized 07 = Natural anodized 16 = Flamed bronze 20 = Corten 23 = Green RAL 6003	02 = 2,6W 04 = 3,6W

Standard configuration example:

V40P.30.N.05.04 | Vario 40 P 3000K 10° optics black anodized 3,6W

TECHNICAL SHEET

LIGHTING CHARACTERISTICS

Color Rendering Index	CRI > 90
Lumen output (source)	188 lm / 263 lm (3000K)
Lumen output (delivered)	174 lm / 215 lm (3000K)
Optics	10° / 23° / 43° / 10°x40°
LED colour temperature	2200K / 2450K / 2700K / 3000K / 4000K
LED lifetime	50000h L95 B10 (Ta 25°C)
Bin selection	Binning free 2 step MacAdam's

MECHANICAL CHARACTERISTICS

Body	Anodized aluminium 6026
Glass	Extra clear tempered glass 3mm
Finishes	White RAL 9003 / Black anodized / Natural anodized / Flamed bronze / Corten / Green RAL 6003
Installation	Suspensions
Impact resistance	IK07
Weight	270g

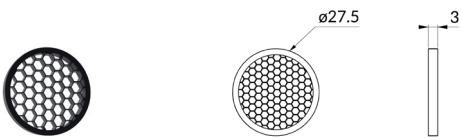
ELECTRICAL CHARACTERISTICS

Power supply	Constant voltage 24Vdc
Power consumption	2,6 Watt / 3,6 Watt
Dimmable	Dimmable

GENERAL CHARACTERISTICS

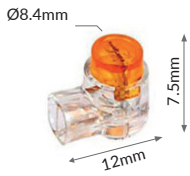
Operating temperature	-20°C +50°C
IP rating	IP66
Insulation class	Class III
Photobiological risk	RG0/RG1

ACCESSORIES



Honeycomb louver

Art. Nr.
ACC.109



Mini gel connector
(couple)

Art. Nr.
ACC.148

POWER SUPPLIES 24Vdc CONSTANT VOLTAGE

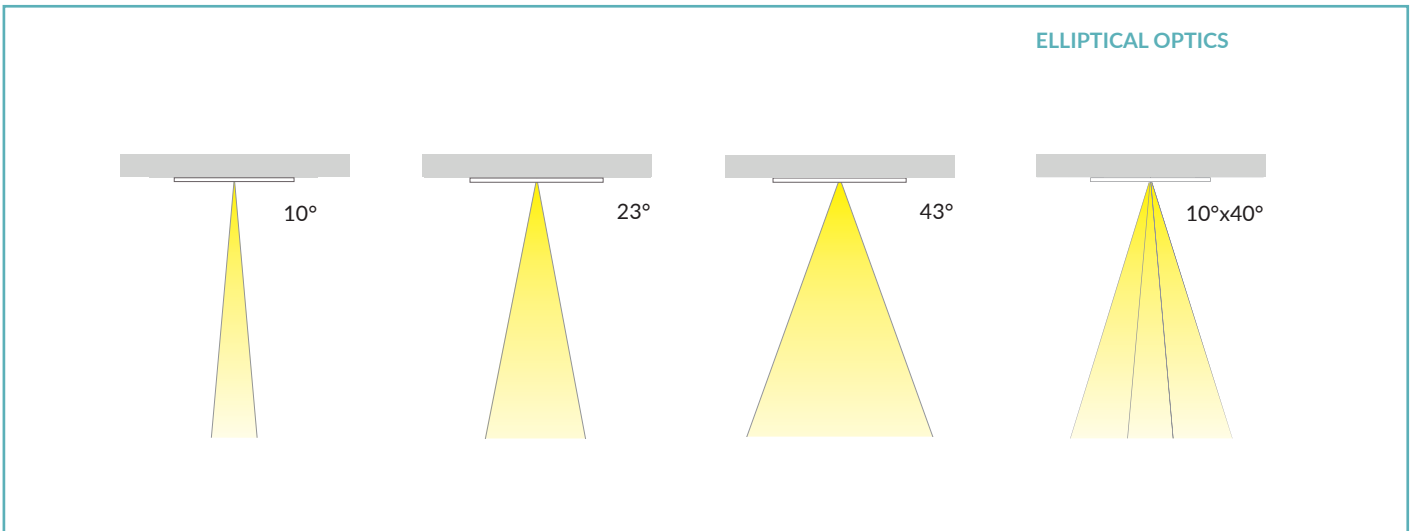
On / Off

Code	Input	I Out	V Out	Watt	IP
PSU.CX.004	110÷240V / 50/60 Hz	0,9 A	24Vdc	20	IP20
PSU.CV.005	90÷305V / 47/63 Hz	1 A	24Vdc	25	IP67
PSU.CV.006	90÷305V / 47/63 Hz	2,5 A	24Vdc	60	IP67
PSU.CV.007	90÷305V / 47/63 Hz	3,75 A	24Vdc	90	IP67

Control Gear

Code	Input	I Out	V Out	Watt	IP
CGE.004 - 0/1-10V	24Vdc	12 A	24Vdc	288	IP20
CGE.017 - DALI	24Vdc	12 A	24Vdc	288	IP20
CGE.017.IP - DALI	24Vdc	12 A	24Vdc	288	IP67
CGE.020 - DMX	24Vdc	6,5 A	24Vdc	156	IP20

OPTICS



PHOTOMETRICS

