



VARIO 33 ZOOM

TECHNICAL DATASHEET

PROJECT INFORMATION

Project Name:

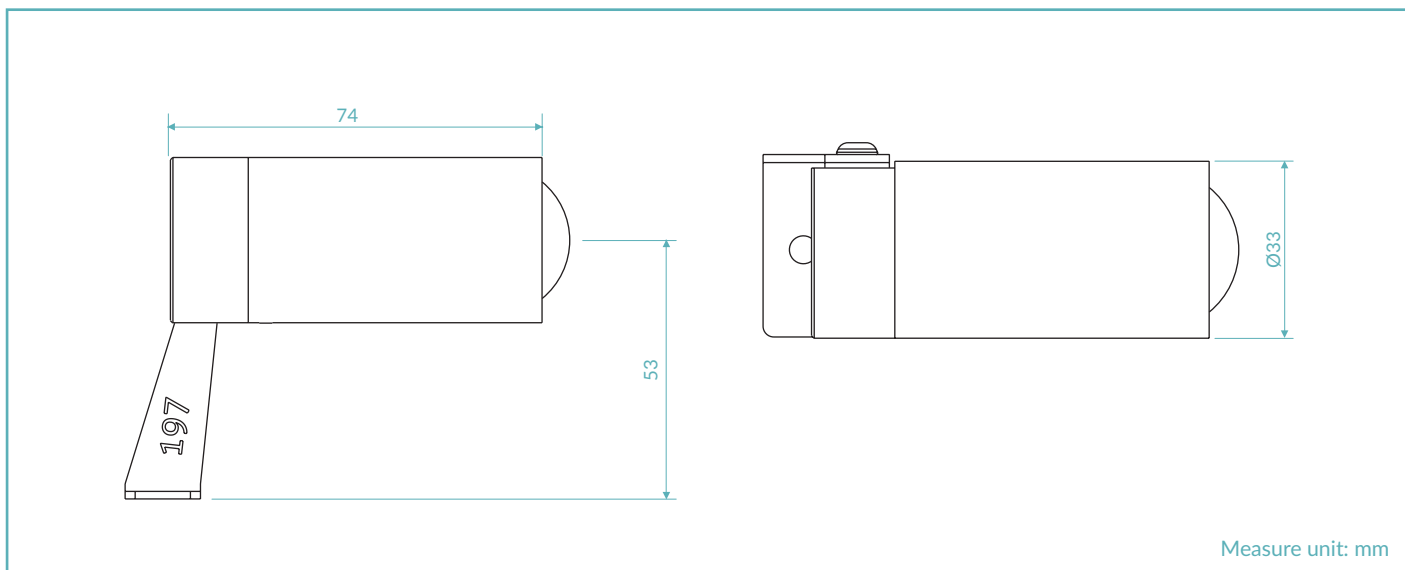
Reference:

Quantity:



MADE IN ITALY

TECHNICAL DRAWING




FINISHES



PRODUCT CODE

V3Z = VARIO 33 ZOOM

Select one component from each column to specify a complete configuration:

	LED colour	Optics	Finish	Power
	22 = 2200K 27 = 2700K 30 = 3000K 40 = 4000K	Z = 6° - 52°	05 = Black anodized 10 = Aged solid brass 21 = Pre-aged solid brass	02 = 2W

Standard configuration example:

V3Z.22.Z.05.02 | Vario 33 Zoom 2200K 6°-52° optics black anodized 2 Watt

TECHNICAL SHEET

LIGHTING CHARACTERISTICS

Color Rendering Index	CRI > 90
Lumen output (source)	140 lm (3000K)
Lumen output (delivered)	87 lm (3000K)
Optics	Zoom 6° - 52°
LED colour temperature	2200K / 2700K / 3000K / 4000K
LED lifetime	50000h L95 B10 (Ta 25°C)
Bin selection	Binning free 2 step MacAdam's

MECHANICAL CHARACTERISTICS

Body	Anodized aluminium 6026 / Solid brass
Glass	Tempered extra clear glass
Finishes	Black anodized / Aged solid brass / Pre-aged solid brass
Installation	Surface mounted / Spike
Impact resistance	IK08
Weight	420g Brass

ELECTRICAL CHARACTERISTICS

Power supply	Constant voltage 24Vdc
Power supply cables	130cm NS20N PCP 2x0,5mm ²
Power consumption	2 Watt
Dimmable	Dimmable

GENERAL CHARACTERISTICS

Operating temperature	-20°C +50°C
IP rating	IP66
Insulation class	Class III
Photobiological risk	RG0/RG1

ACCESSORIES

	Ground spike	Art. Nr. ACC.092	Finishes .02 = Black RAL 9005 .10 = Aged solid brass .21 = Pre-aged solid brass	Lenght .035 = 35cm
	Ground spike	Art. Nr. ACC.132	Finishes .03 = Stainless steel AISI316L	Lenght .025 = 25cm
	Snoot 45°	Art. Nr. ACC.133	Finishes .05 = Black anodized .10 = Aged solid brass .21 = Pre-aged solid brass	
	Snoot tube	Art. Nr. ACC.134	Finishes .05 = Black anodized .10 = Aged solid brass .21 = Pre-aged solid brass	
	Cable	Art. Nr. CV00037 CV00040 CV00041 CV00042 CV00043	Lenght 5m 10m 15m 20m 25m	

POWER SUPPLIES 24Vdc CONSTANT VOLTAGE

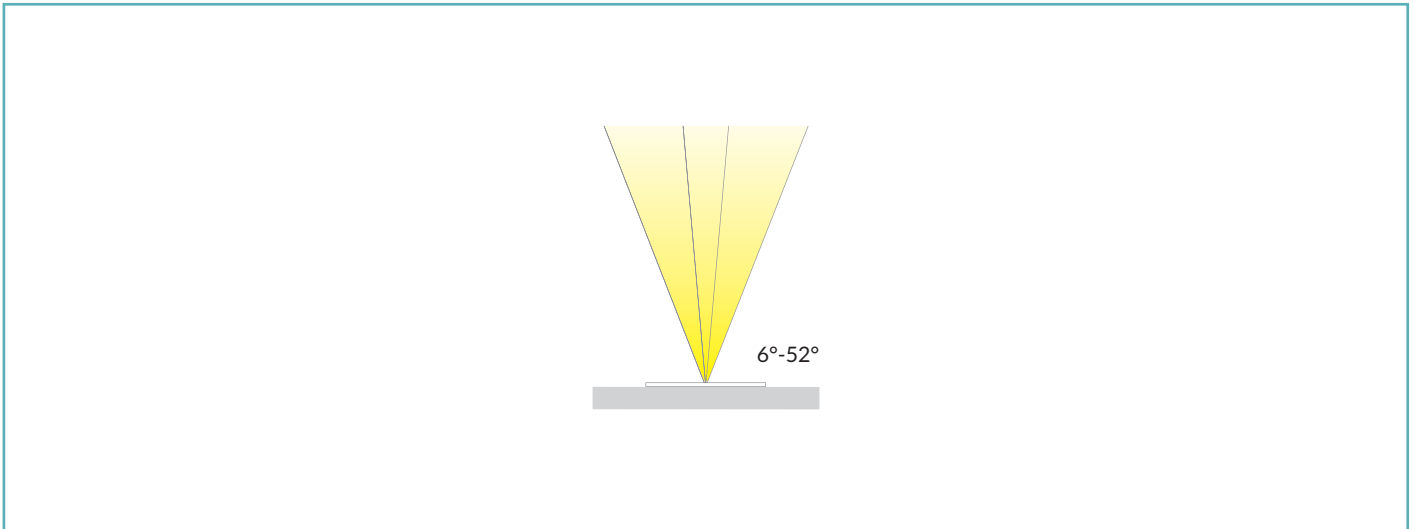
On / Off

Code	Input	I Out	V Out	Watt	IP
PSU.CX.004	110÷240V / 50/60 Hz	0,9 A	24Vdc	20	IP20
PSU.CV.005	90÷305V / 47/63 Hz	1 A	24Vdc	25	IP67
PSU.CV.006	90÷305V / 47/63 Hz	2,5 A	24Vdc	60	IP67
PSU.CV.007	90÷305V / 47/63 Hz	3,75 A	24Vdc	90	IP67
PSU.CV.021	90÷305V / 47/63 Hz	10 A	24Vdc	240	IP67

Control Gear

Code	Input	I Out	V Out	Watt	IP
CGE.004 - 0/1-10V	24Vdc	12 A	24Vdc	288	IP20
CGE.017 - DALI	24Vdc	12 A	24Vdc	288	IP20
CGE.017.IP - DALI	24Vdc	12 A	24Vdc	288	IP67
CGE.020 - DMX	24Vdc	6,5 A	24Vdc	156	IP20

OPTICS



PHOTOMETRICS

