



ULTRA

TECHNICAL DATASHEET

PROJECT INFORMATION

Project Name:

Reference:

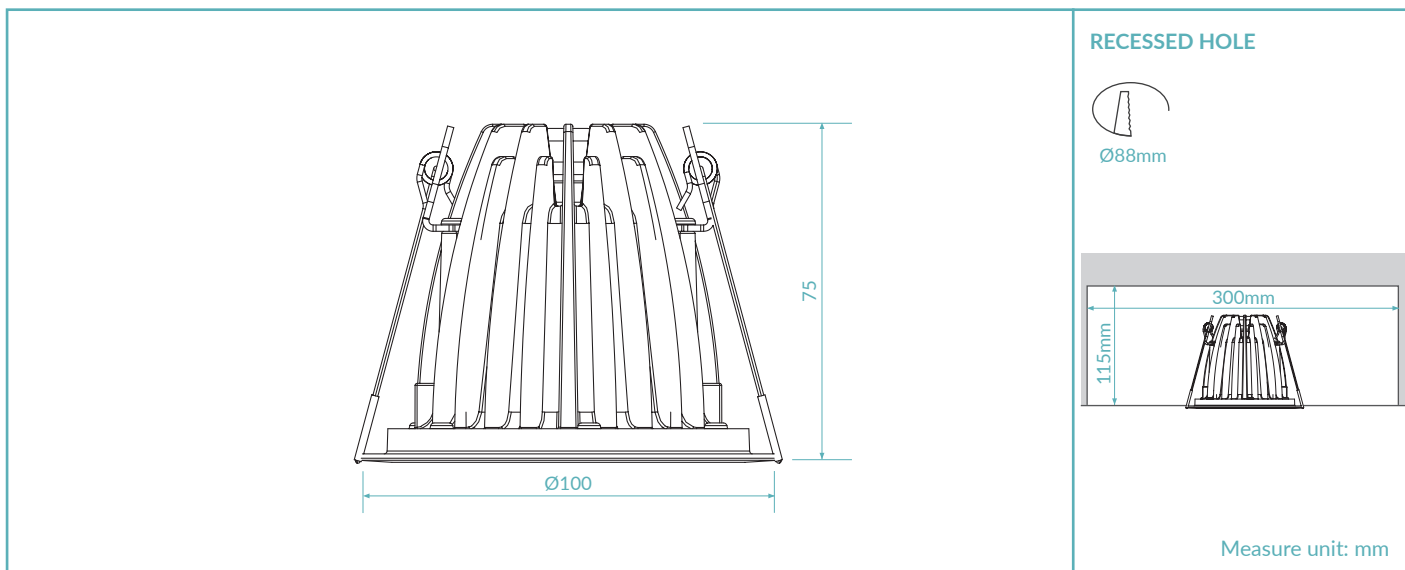
Quantity:



CE III F IP65

MADE IN ITALY

TECHNICAL DRAWING



FINISHES




.01
White RAL 9003



.02
Black RAL 9005

PRODUCT CODE

ULT = ULTRA		Select one component from each column to specify a complete configuration:			
		LED colour	Optics	Finish	Power
		27 = 2700K 30 = 3000K 40 = 4000K DW = Dim to Warm	N = 20° (20° DW) M = 32° W = 40° (40° DW)	01 = White RAL 9003 02 = Black RAL 9005	CC = 350mA

Standard configuration example:

ULT.30.N.01.CC | Ultra 3000K 20° optics white 350mA

TECHNICAL SHEET

LIGHTING CHARACTERISTICS

Color Rendering Index	CRI > 90
Lumen output (source)	1154 lm (3000K) / 1246 lm DW
Lumen output (delivered)	1039 lm (3000K) / 524 lm DW
Optics	20° / 32° / 40° / 20°DW / 40° DW
LED colour temperature	2700K / 3000K / 4000K / 3000K - 1800K DW
LED lifetime	50000h L95 B10 (Ta 25°C)
Bin selection	Binning free 2 step MacAdam's

MECHANICAL CHARACTERISTICS

Body	Die-cast aluminium
Glass	Tempered extra clear glass 4mm
Finishes	White RAL 9003 / Black RAL 9005
Installation	Fixing springs
Weight	365g

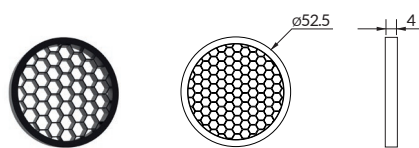
ELECTRICAL CHARACTERISTICS

Power supply	Constant current 350mA Max / 350mA - 14mA Dim to Warm
Power supply cables	35cm NS20N PCP 2x0,5mm ²
Power consumption	12,9 Watt Max
Dimmable	Dimmable

GENERAL CHARACTERISTICS

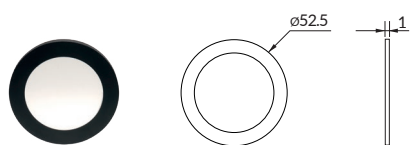
Operating temperature	-20°C +50°C
IP rating	IP65
Insulation class	Class III
Photobiological risk	RG0/RG1

ACCESSORIES



Honeycomb louver

Art. Nr.
ACC.001

Micro prismatic
diffuser

Art. Nr.
ACC.002

POWER SUPPLIES 350mA CONSTANT CURRENT

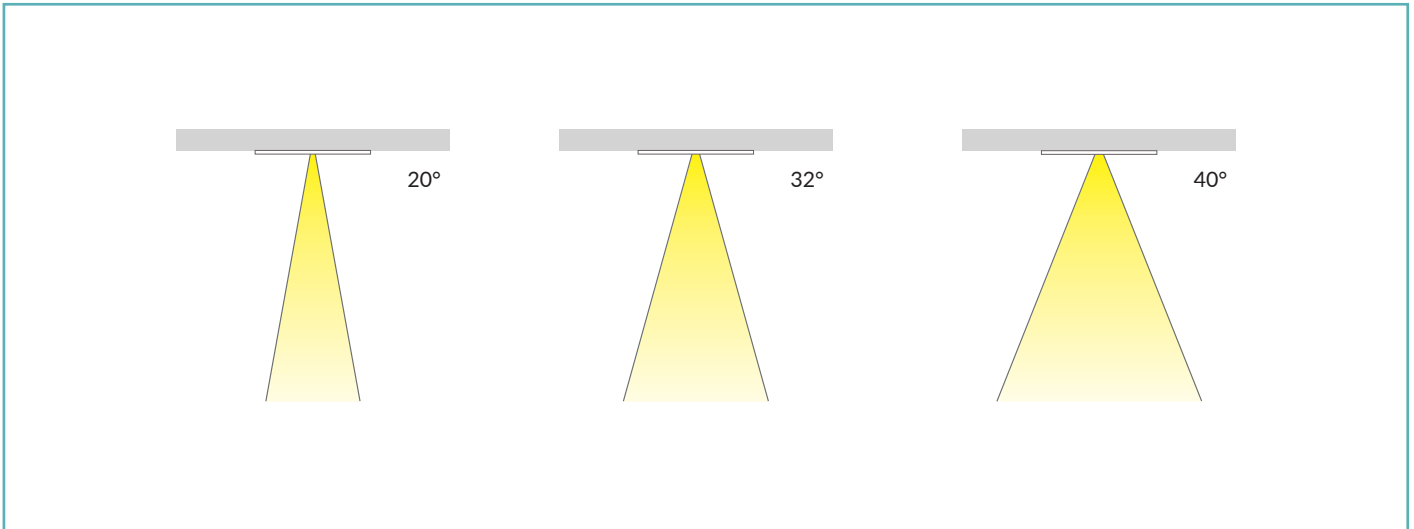
On / Off

Code	Input	I Out	V Out	Watt	IP
PSU.CX.003	110÷240V / 50/60 Hz	350mA	47 V	15	IP20
PSU.CX.004	110÷240V / 50/60 Hz	350mA	43 V	15	IP20

Dimmable

Code	Input	I Out	V Out	Watt	IP
PSU.CX.001 - 1-10V/PUSH	100÷240V / 50/60 Hz	350mA	47 V	20	IP20
PSU.CC.022 - DTW /DALI	220÷240V / 47/53 Hz	350mA	40 V	20	IP20

OPTICS



PHOTOMETRICS

