



TRAIL 54 Q

TECHNICAL DATASHEET

PROJECT INFORMATION

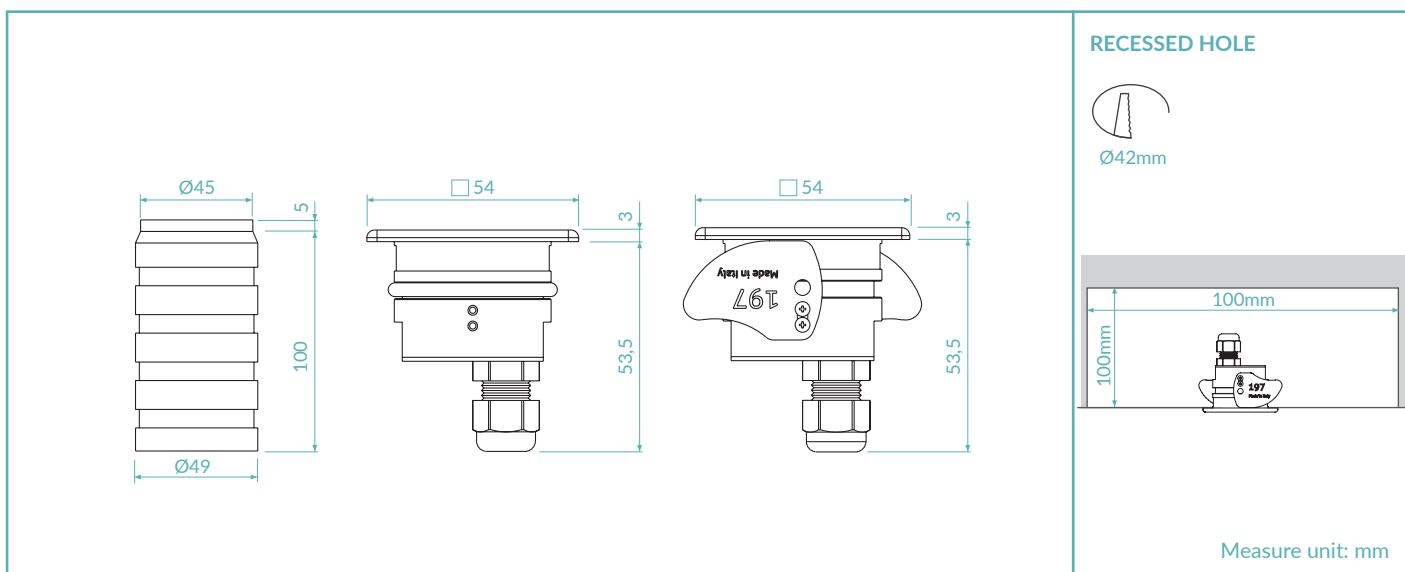
Project Name:

Reference:

Quantity:




TECHNICAL DRAWING



FINISHES



PRODUCT CODE

TR5Q = TRAIL 54 Q		Select one component from each column to specify a complete configuration:		
	LED colour	Optics	Finish	Power
	22 = 2200K 27 = 2700K 30 = 3000K 40 = 4000K	N = 10° W = 43°	05 = Black anodized 10 = Aged solid brass 21 = Pre-aged solid brass	02 = 2W

Standard configuration example:

TR5Q.30.N.05.02 | Trail 54 Q 3000K 10° optics black anodized 2W

TECHNICAL SHEET

LIGHTING CHARACTERISTICS

Color Rendering Index	CRI > 90
Lumen output (source)	140 lm (3000K)
Lumen output (delivered)	20 lm (3000K)
Optics	10° / 43°
LED colour temperature	2200K / 2700K / 3000K / 4000K
LED lifetime	50000h L95 B10 (Ta 25°C)
Bin selection	Binning free 2 step MacAdam's

MECHANICAL CHARACTERISTICS

Body	Anodized aluminium 6026 / Solid brass - Anodized aluminium 6026
Glass	2mm
Finishes	Black anodized / Aged solid brass / Pre-aged solid brass
Installation	Housing box / Fixing Springs
Weight	208g

ELECTRICAL CHARACTERISTICS

Power supply	Constant voltage 24Vdc
Power supply cables	35cm NS20N PCP 2x0,5mm ²
Power consumption	2 Watt
Dimmable	Dimmable

GENERAL CHARACTERISTICS

Operating temperature	-20°C +50°C
IP rating	IP68 (not for permanent immersion)
Insulation class	Class III
Photobiological risk	RG0/RG1

ACCESSORIES



Housing box

Art. Nr.
HB.009



Fixing springs

Art. Nr.
ACC.050



Cable

Art. Nr.
CV00037
CV00040
CV00041
CV00042
CV00043

Length

5m
10m
15m
20m
25m

POWER SUPPLIES 24Vdc CONSTANT VOLTAGE

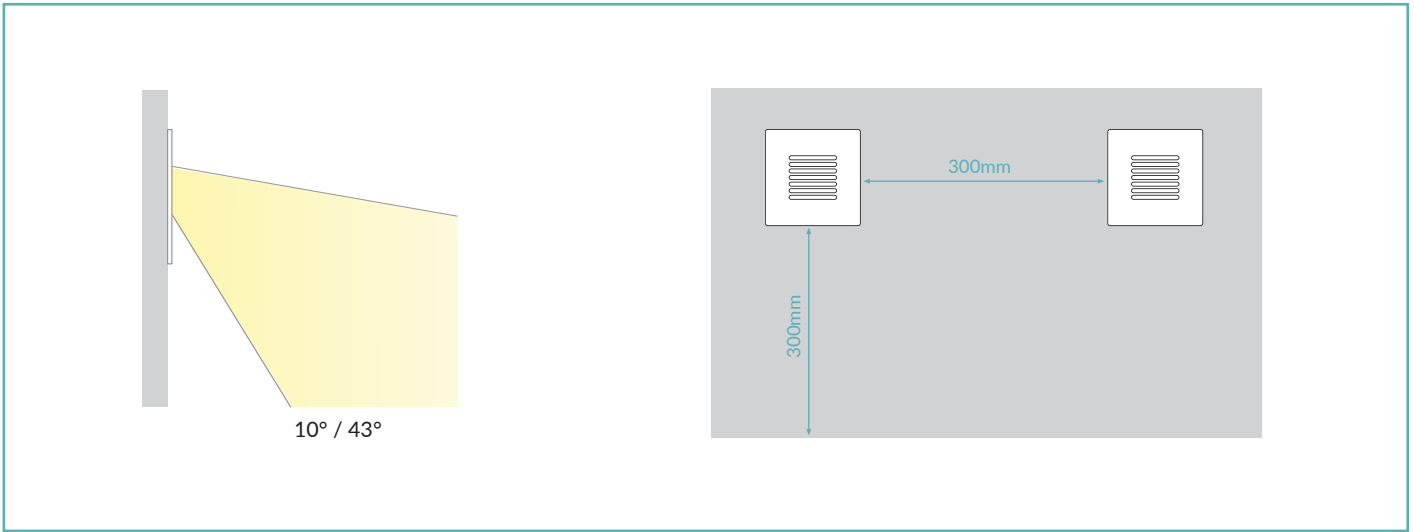
On / Off

Code	Input	I Out	V Out	Watt	IP
PSU.CX.004	110÷240V / 50/60 Hz	0,9 A	24Vdc	20	IP20
PSU.CV.005	90÷305V / 47/63 Hz	1 A	24Vdc	25	IP67
PSU.CV.006	90÷305V / 47/63 Hz	2,5 A	24Vdc	60	IP67
PSU.CV.007	90÷305V / 47/63 Hz	3,75 A	24Vdc	90	IP67
PSU.CV.021	90÷305V / 47/63 Hz	10 A	24Vdc	240	IP67

Control Gear

Code	Input	I Out	V Out	Watt	IP
CGE.004 - 0/1-10V	24Vdc	6,5 A	24Vdc	156	IP20
CGE.017 - DALI	24Vdc	6,5 A	24Vdc	156	IP20
CGE.017.IP - DALI	24Vdc	6,5 A	24Vdc	156	IP67
CGE.020 - DMX	24Vdc	6,5 A	24Vdc	156	IP20

OPTICS



PHOTOMETRICS

