



TRACER 60

TECHNICAL DATASHEET

PROJECT INFORMATION

Project Name:

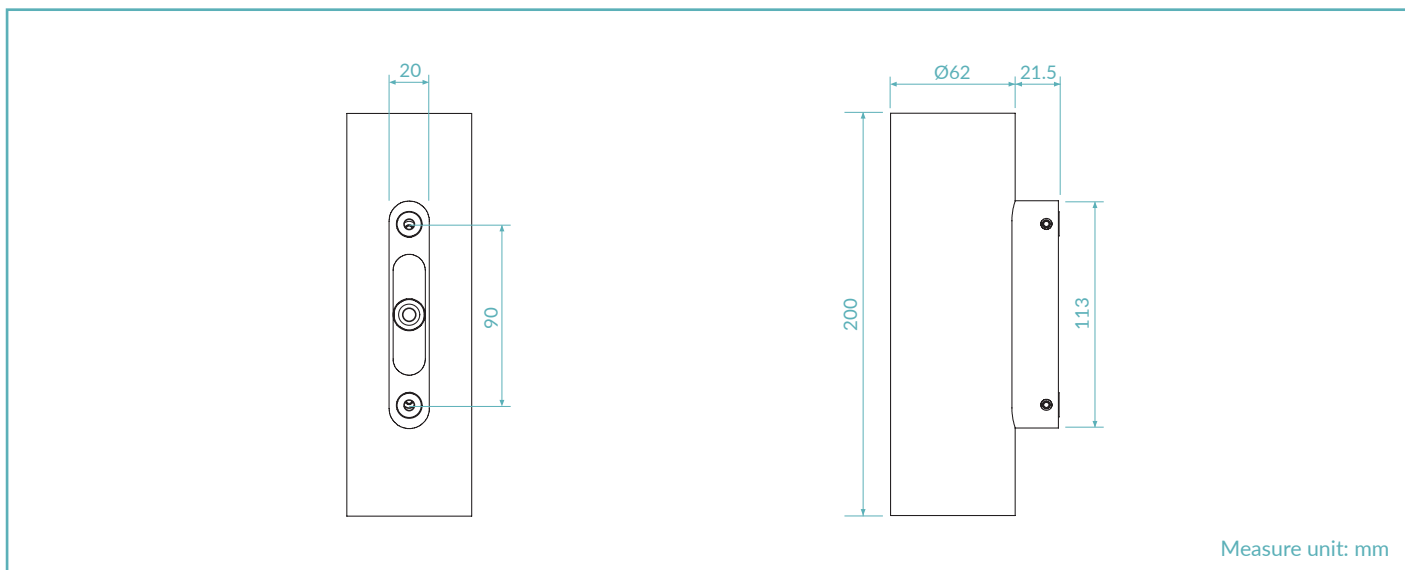
Reference:

Quantity:

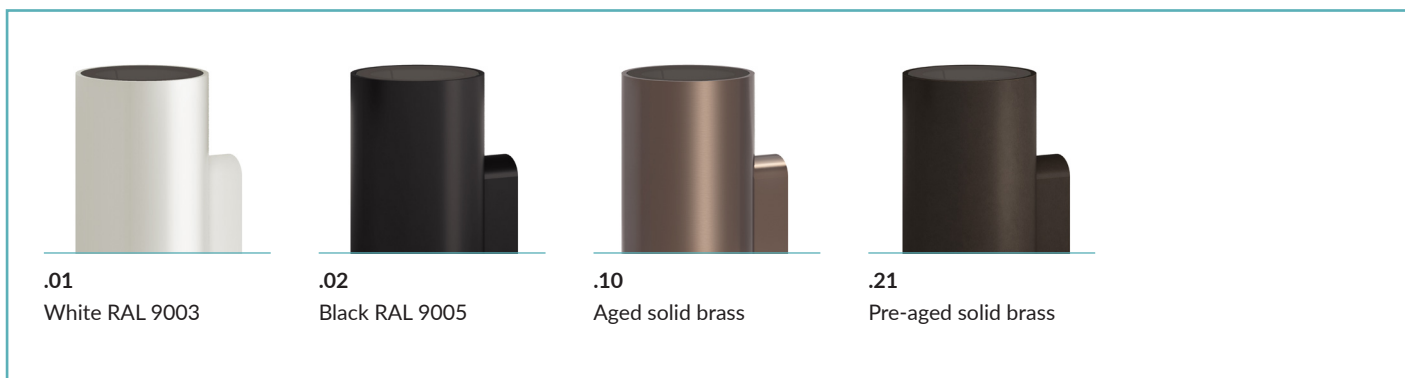


CE    IP66
MADE IN ITALY


TECHNICAL DRAWING



FINISHES



PRODUCT CODE

T60 = TRACER 60	Select one component from each column to specify a complete configuration:			
	LED colour	Optics	Finish	Power
	27 = 2700K 30 = 3000K 40 = 4000K	NN = 10°+10° NE = 10°+10°x45° NM = 10°+30° NW = 10°+50° MM = 30°+30° MW = 30°+50° ME = 30°+10°x45° WW = 50°+50° WE = 50°+10°x45° EE = 10°x45°+ 10°x45°	01 = White RAL 9003 02 = Black RAL 9005 10 = Aged solid brass 21 = Pre-aged solid brass	10 = 10W 18 = 18W

Standard configuration example:

T60.30.NN.10.18 | Tracer 60 3000K 10°+ 10° optics aged solid brass 18W

TECHNICAL SHEET

LIGHTING CHARACTERISTICS

Color Rendering Index	CRI > 90
Lumen output (source)	2x647 lm / 2x896 lm (3000K)
Lumen output (delivered)	2x409 lm / 2x590 lm (3000K)
Optics	10° / 30° / 50° / 10°x45°
LED colour temperature	2700K / 3000K / 4000K
LED lifetime	50000h L95 B10 (Ta 25°C)
Bin selection	Binning free 2 step MacAdam's

MECHANICAL CHARACTERISTICS

Body	Anodized aluminium 6026 / Solid brass
Glass	Extra clear tempered glass 2mm
Finishes	White RAL 9003 / Black RAL 9005 / Aged solid brass / Pre-aged solid brass
Installation	Surface mounted
Impact resistance	IK04
Weight	1,35kg

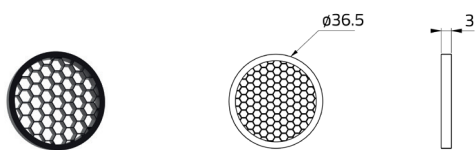
ELECTRICAL CHARACTERISTICS

Power supply	Constant voltage 24Vdc
Power supply cables	35cm NS20N PCP 2x0,5mm ²
Power consumption	10 Watt / 18 Watt
Dimmable	Dimmable

GENERAL CHARACTERISTICS

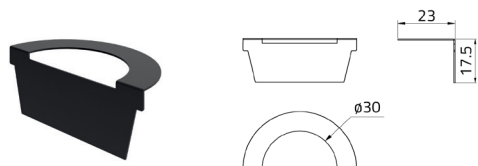
Operating temperature	-20°C +50°C
IP rating	IP66
Insulation class	Class III
Photobiological risk	RG0/RG1

ACCESSORIES



Honeycomb louver

Art. Nr.
ACC.004



Anti-Glare louver

Art. Nr.
ACC.073

POWER SUPPLIES 24Vdc CONSTANT VOLTAGE

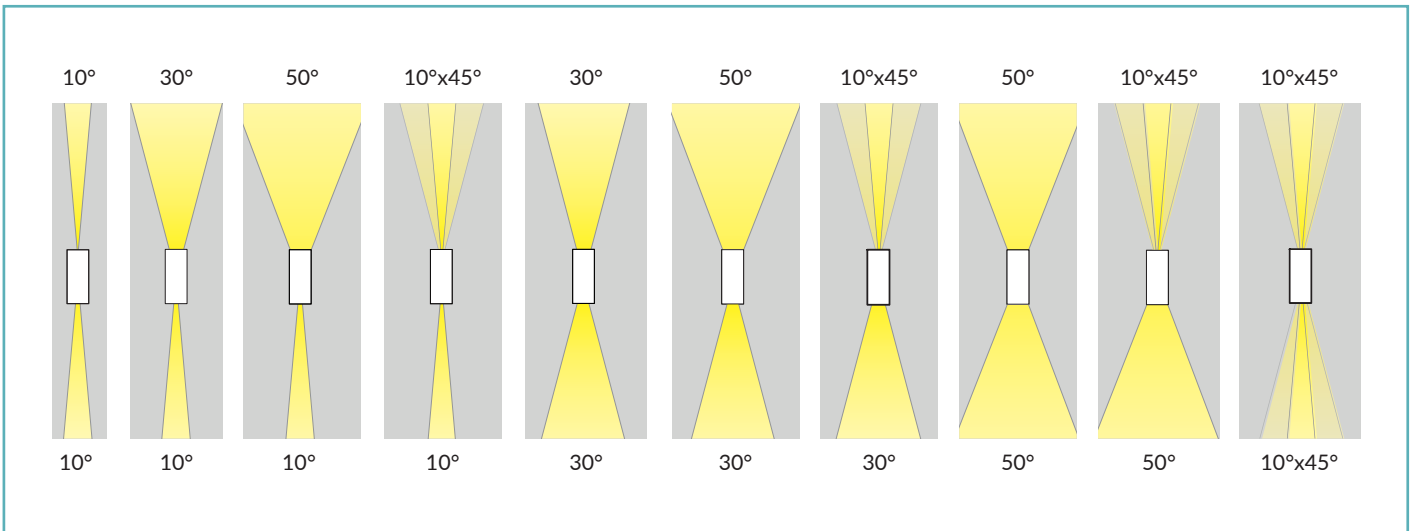
On / Off

Code	Input	I Out	V Out	Watt	IP
PSU.CV.005	90÷305V / 47/63 Hz	1 A	24Vdc	25	IP67
PSU.CV.006	90÷305V / 47/63 Hz	2,5 A	24Vdc	60	IP67
PSU.CV.007	90÷305V / 47/63 Hz	3,75 A	24Vdc	90	IP67
PSU.CV.021	90÷305V / 47/63 Hz	10 A	24Vdc	240	IP67

Control Gear

Code	Input	I Out	V Out	Watt	IP
CGE.004 - 0/1-10V	24Vdc	6,5 A	24Vdc	156	IP20
CGE.017 - DALI	24Vdc	6,5 A	24Vdc	156	IP20
CGE.017.IP - DALI	24Vdc	6,5 A	24Vdc	156	IP67
CGE.020 - DMX	24Vdc	6,5 A	24Vdc	156	IP20

OPTICS



PHOTOMETRICS

