

TRACER 50 Q

TECHNICAL DATASHEET

PROJECT INFORMATION

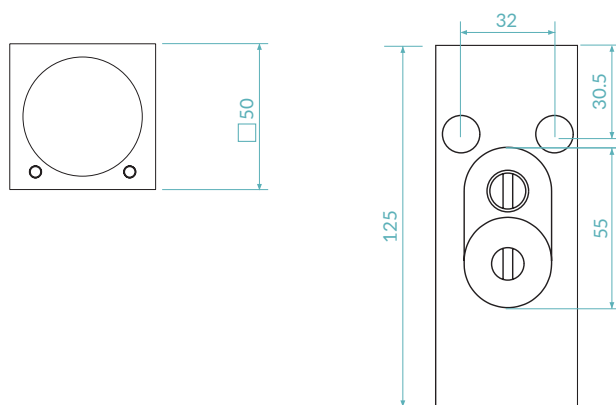
Project Name:

Reference:

Quantity:



TECHNICAL DRAWING



Measure unit: mm

FINISHES



.05
Black anodized




.07
Natural anodized



.16
Flamed bronze

PRODUCT CODE

T5Q = TRACER 50 Q	Select one component from each column to specify a complete configuration:			
	LED colour 22 = 2200K 25 = 2450K 27 = 2700K 30 = 3000K 40 = 4000K	Optics NN = 10° + 10° NM = 10° + 23° NW = 10° + 43° MM = 23° + 23° MW = 23° + 43° WW = 43° + 43°	Finish 05 = Black anodized 07 = Natural anodized 16 = Flamed bronze	Power 04 = 4W

Standard configuration example:

T5Q.30.NN.05.04 | Tracer 50 Q 3000K 10°+ 10° optics black anodized 4W

TECHNICAL SHEET

LIGHTING CHARACTERISTICS

Color Rendering Index	CRI > 90
Lumen output (source)	2x140 lm (3000K)
Lumen output (delivered)	2x113 lm (3000K)
Optics	10° / 23° / 43°
LED colour temperature	2200K / 2450K / 2700K / 3000K / 4000K
LED lifetime	50000h L95 B10 (Ta 25°C)
Bin selection	Binning free 2 step MacAdam's

MECHANICAL CHARACTERISTICS

Body	Anodized aluminium 6026
Glass	Extra clear tempered glass 2mm
Finishes	Black anodized / Natural anodized / Flamed bronze
Installation	Surface mounted
Impact resistance	IK04
Weight	650g

ELECTRICAL CHARACTERISTICS

Power supply	Constant voltage 24Vdc
Power supply cables	35cm NS20N PCP 2x0,5mm ²
Power consumption	4 Watt
Dimmable	Dimmable

GENERAL CHARACTERISTICS

Operating temperature	-20°C +50°C
IP rating	IP66
Insulation class	Class III
Photobiological risk	RG0/RG1

ACCESSORIES



Honeycomb louver

Art. Nr.
ACC.163

POWER SUPPLIES 24Vdc CONSTANT VOLTAGE

On / Off

Code	Input	I Out	V Out	Watt	IP
PSU.CX.004	220÷240V / 50/60 Hz	0,9 A	24Vdc	20	IP20
PSU.CV.005	90÷305V / 47/63 Hz	1 A	24Vdc	25	IP67
PSU.CV.006	90÷305V / 47/63 Hz	2,5 A	24Vdc	60	IP67
PSU.CV.007	90÷305V / 47/63 Hz	3,75 A	24Vdc	90	IP67

Control Gear

Code	Input	I Out	V Out	Watt	IP
CGE.004 - 0/1-10V	24Vdc	12 A	24Vdc	288	IP20
CGE.017 - DALI	24Vdc	12 A	24Vdc	288	IP20
CGE.017.IP - DALI	24Vdc	12 A	24Vdc	288	IP67
CGE.020 - DMX	24Vdc	6,5 A	24Vdc	156	IP20

OPTICS

