



# FLEXLITE WAVE 10

TECHNICAL DATASHEET

## PROJECT INFORMATION

Project Name:

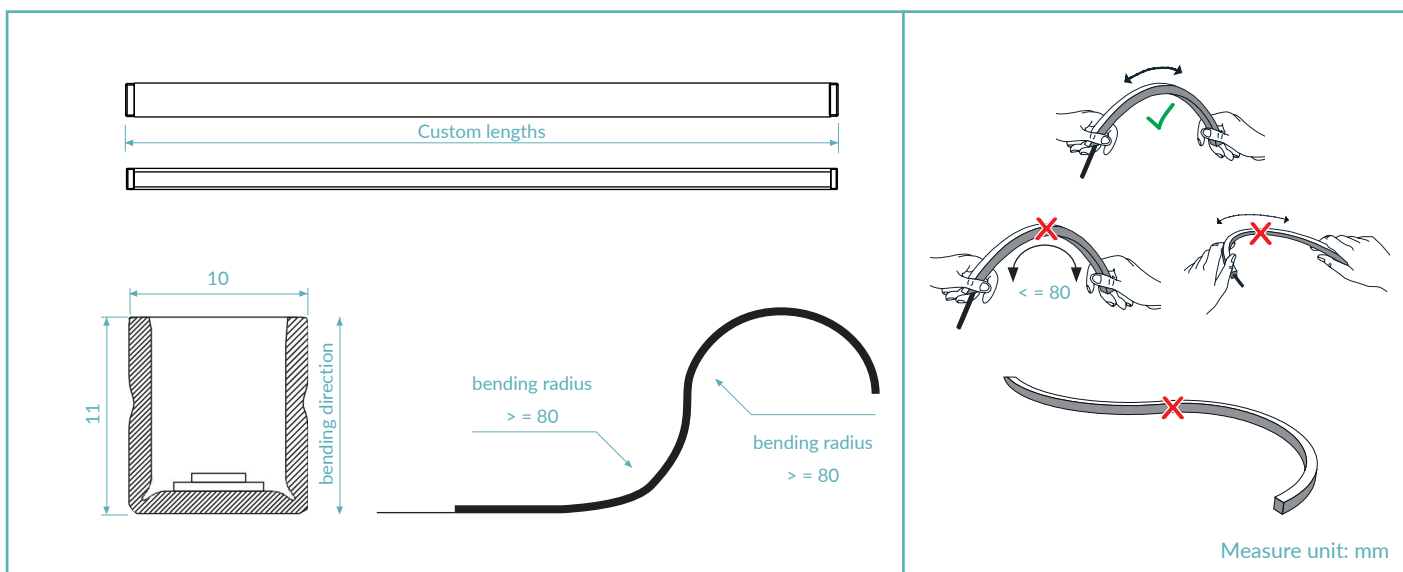
Reference:

Quantity:

CE IP68

MADE IN ITALY

## TECHNICAL DRAWING




## FINISHES



**.11**  
Opal white

## PRODUCT CODE

	<b>F10W = FLEXLITE WAVE 10</b> Select one component from each column to specify a complete configuration:			
	LED colour	Optics	Finish	Lenght
27 = 2700K 30 = 3050K 42 = 4250K 51 = 5100K	O = Opal	11 = Opal white	Custom lengths	11 = 11W per meter

Standard configuration example:

**F10W.27.O.11.500.11** | Flexlite Wave 10 2700K opal optics opal white 500cm 11W per meter

## TECHNICAL SHEET

### LIGHTING CHARACTERISTICS

Color Rendering Index	CRI > 85
Lumen output (source)	SMD 3014 /204 LEDs per meter / 5 mm pitch
Lumen output (delivered)	420 lm/m (3050K)
Distance between LEDs	5mm
Cut lenght	Every 29,45mm
Optics	120° diffused light
LED colour temperature	2700K / 3050K / 4250K / 5100K
LED lifetime	50000h L95 B10 (Ta 25°C)
Bin selection	Binning free 2 step MacAdam's

### MECHANICAL CHARACTERISTICS

Body	PVC, White
Resin	Opal polyurethane
Finishes	Opal white
Installation	Aluminium profile / Steel clip / Flexible snake steel / Flexible snake steel for plasterboard
Weight	340 g/meter

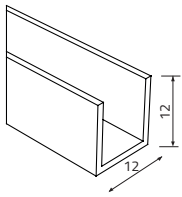
### ELECTRICAL CHARACTERISTICS

Power supply	Constant voltage 24Vdc
Power supply cables	Neoprene 2x0,5mm <sup>2</sup> , 30cm or length on request
Power consumption	11 Watt per meter
Dimmable	Dimmable

### GENERAL CHARACTERISTICS

Operating temperature	-20°C +50°C
IP rating	IP68 - Suitable for permanent immersions and chlorine environments (e.g swimming pools and fountains)
Insulation class	Class III
Photobiological risk	RG0 / RG01

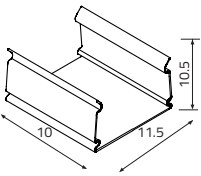
## ACCESSORIES



Aluminium profile

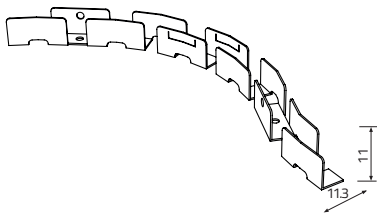
Art. Nr.  
ACC.051

Length  
Custom lengths



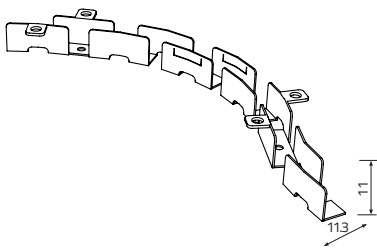
Steel clip (25 pieces)

Art. Nr.  
CLIP.0004



Flexible snake steel

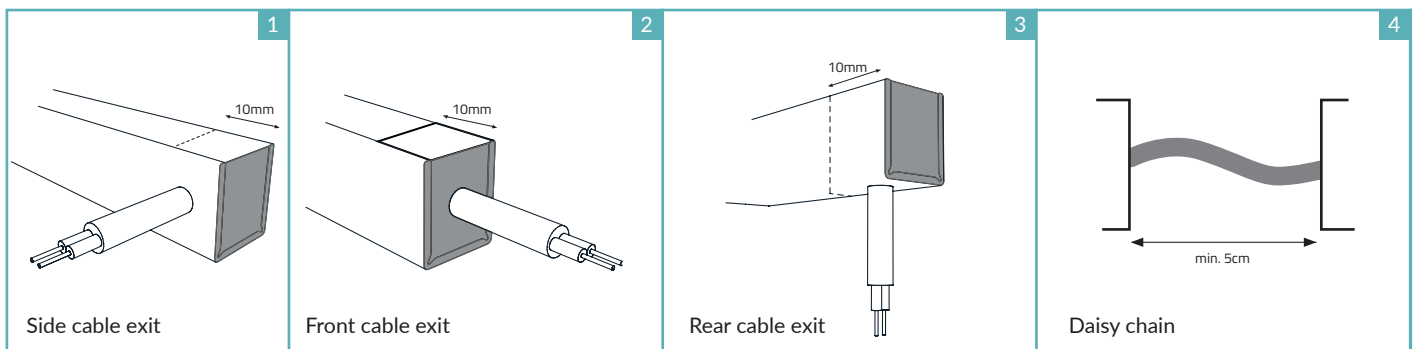
Art. Nr.  
ACC.135



Flexible snake steel  
for plasterboard

Art. Nr.  
ACC.136

## CABLE EXIT



## POWER SUPPLIES 24Vdc CONSTANT VOLTAGE

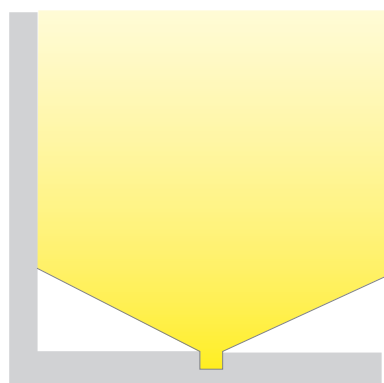
### On / Off

Code	Input	I Out	V Out	Watt	IP
PSU.CV.005	90÷305V / 47/63 Hz	1 A	24Vdc	25	IP67
PSU.CV.006	90÷305V / 47/63 Hz	2,5 A	24Vdc	60	IP67
PSU.CV.007	90÷305V / 47/63 Hz	3,75 A	24Vdc	90	IP67

### Control Gear

Code	Input	I Out	V Out	Watt	IP
CGE.004 - 0/1-10V	24Vdc	6,5 A	24Vdc	156	IP20
CGE.017 - DALI	24Vdc	6,5 A	24Vdc	156	IP20
CGE.017.IP - DALI	24Vdc	6,5 A	24Vdc	156	IP20
CGE.020 - DMX	24Vdc	6,5 A	24Vdc	156	IP20

## OPTICS



120° diffused light