



EYES 17

TECHNICAL DATASHEET

PROJECT INFORMATION

Project Name:

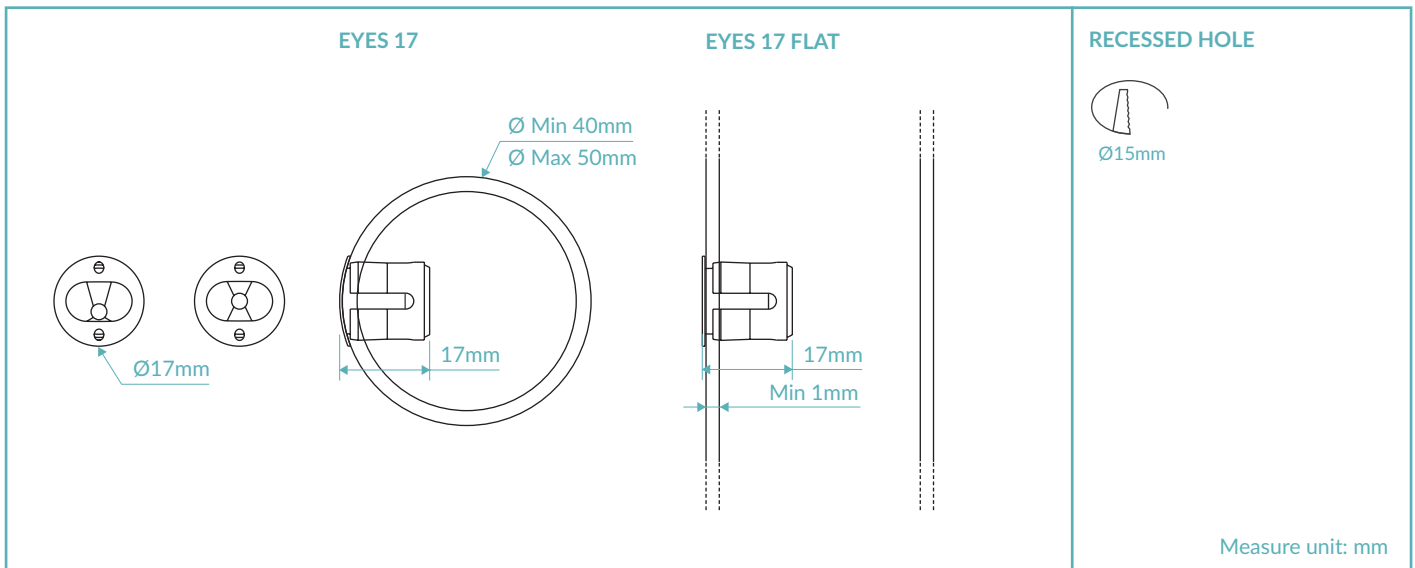
Reference:

Quantity:

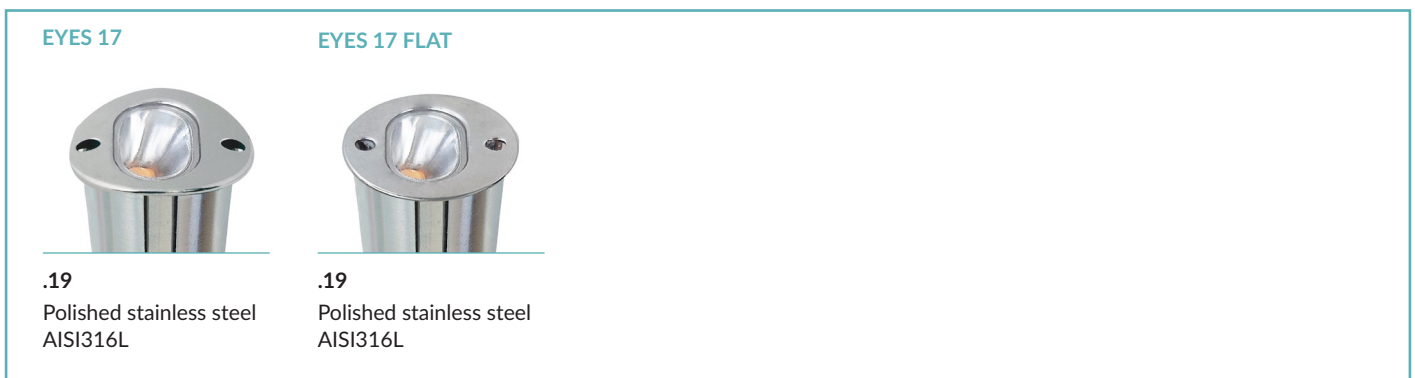


CE III F IK10 IP67
MADE IN ITALY


TECHNICAL DRAWING



FINISHES



PRODUCT CODE

EY17 = EYES 17	Select one component from each column to specify a complete configuration:			
	LED colour	Optics	Finish	Power
	22 = 2200K 27 = 2700K 30 = 3000K 40 = 4000K	A = Asymmetric S = Symmetric	19 = Polished stainless steel AISI316L	CC = 500mA CV = 24Vdc

Standard configuration example:

EY17.30.A.19.CC | Eyes 17 3000K asymmetric optics polished stainless steel 500mA

TECHNICAL SHEET

LIGHTING CHARACTERISTICS

Color Rendering Index	CRI > 90
Lumen output (source)	215 lm (3000K)
Lumen output (delivered)	170 lm (3000K)
Optics	Asymmetric / Symmetric
LED colour temperature	2200K / 2700K / 3000K / 4000K
LED lifetime	50000h L95 B10 (Ta 25°C)
Bin selection	Binning free 2 step MacAdam's

MECHANICAL CHARACTERISTICS

Body	Stainless steel
Glass	Tempered extra clear 0,5mm
Finishes	Polished stainless steel AISI316L
Installation	Fixing Spring
Impact resistance	IK10 (Polycarbonate option)
Weight	13g

ELECTRICAL CHARACTERISTICS

Power supply	Constant current 500mA / Constant voltage 24Vdc
Power supply cables	20cm 2x0,5mm ²
Power consumption	CC 1,4W / CV 2W
Dimmable	Dimmable


GENERAL CHARACTERISTICS

Operating temperature	-20°C +50°C
IP rating	IP67
Insulation class	Class III
Photobiological risk	RG0

PRODUCT CODE

EY17F = EYES 17 FLAT

Select one component from each column to specify a complete configuration:

	LED colour	Optics	Finish	Power
	22 = 2200K 27 = 2700K 30 = 3000K 40 = 4000K	A = Asymmetric S = Symmetric	19 = Polished stainless steel AISI316L	CC = 500mA CV = 24Vdc

Standard configuration example:

EY17F.30.A.19.CC | Eyes 17 Flat 3000K asymmetric optics polished stainless steel constant current

TECHNICAL SHEET

LIGHTING CHARACTERISTICS

Color Rendering Index	CRI > 90
Lumen output (source)	215 lm (3000K)
Lumen output (delivered)	170 lm (3000K)
Optics	Asymmetric / Symmetric
LED colour temperature	2200K / 2700K / 3000K / 4000K
LED lifetime	50000h L95 B10 (Ta 25°C)
Bin selection	Binning free 2 step MacAdam's

MECHANICAL CHARACTERISTICS

Body	Stainless steel
Glass	Tempered extra clear 0,5mm
Finishes	Polished stainless steel AISI316L
Installation	Fixing Spring
Impact resistance	IK10 (Polycarbonate option)
Weight	13g

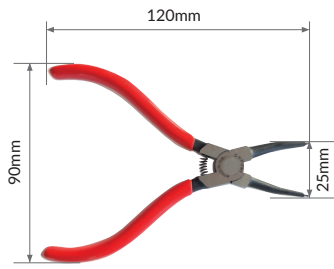
ELECTRICAL CHARACTERISTICS

Power supply	Constant current 500mA / Constant voltage 24Vdc
Power supply cables	20cm 2x0,5mm ²
Power consumption	CC 1,4W / CV 2W
Dimmable	Dimmable

GENERAL CHARACTERISTICS

Operating temperature	-20°C +50°C
IP rating	IP67
Insulation class	Class III
Photobiological risk	RG0

ACCESSORIES



Dedicated pliers

Art. Nr.
ACC.147



Mini gel connector
(couple)

Art. Nr.
ACC.148

POWER SUPPLIES 500mA CONSTANT CURRENT

On / Off

Code	Input	I Out	V Out	Watt	IP
PSU.CX.003	110÷240V / 50/60 Hz	500mA	47 V	24	IP20
PSU.CX.004	110÷240V / 50/60 Hz	500mA	43 V	20	IP20

Dimmable

Code	Input	I Out	V Out	Watt	IP
PSU.CX.001 1-10V/PUSH	110÷240V / 50/60 Hz	500mA	47 V	24	IP20
PSU.CC.011 DALI	110÷240V / 50/60 Hz	500mA	38 V	20	IP20

POWER SUPPLIES 24Vdc CONSTANT VOLTAGE

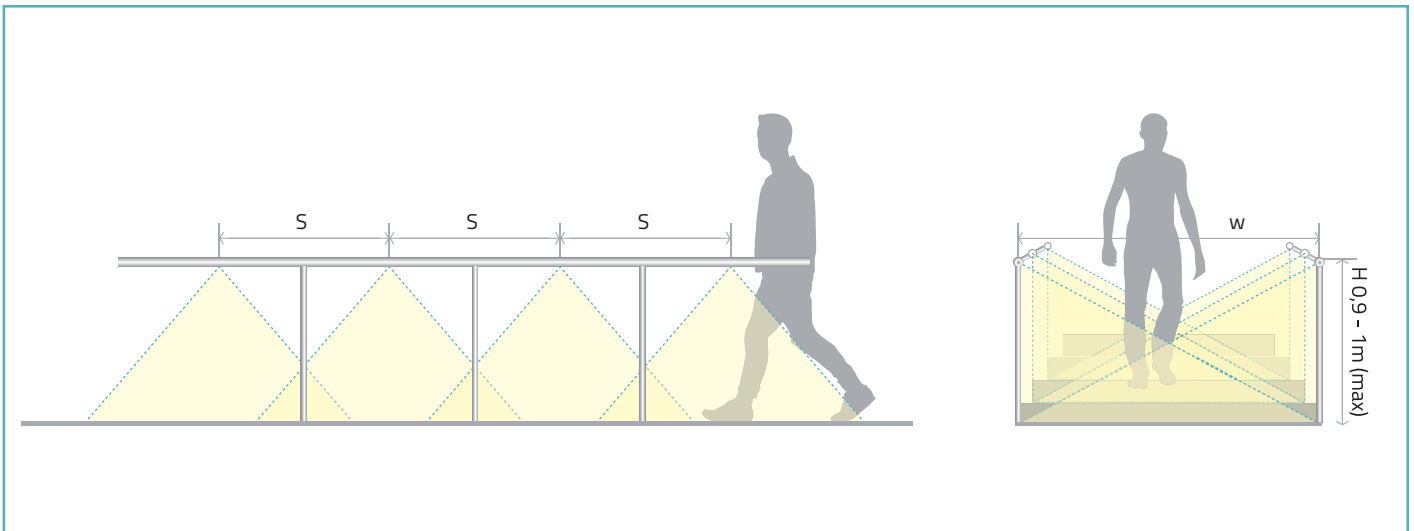
On / Off

Code	Input	I Out	V Out	Watt	IP
PSU.CX.004	110÷240V / 50/60 Hz	0,9 A	24Vdc	20	IP20
PSU.CV.005	90÷305V / 47/63 Hz	1 A	24Vdc	25	IP67
PSU.CV.006	90÷305V / 47/63 Hz	2,5 A	24Vdc	60	IP67
PSU.CV.007	90÷305V / 47/63 Hz	3,75 A	24Vdc	90	IP67
PSU.CV.021	90÷305V / 47/63 Hz	10 A	24Vdc	240	IP67

Control Gear

Code	Input	I Out	V Out	Watt	IP
CGE.004 - 0/1-10V	24Vdc	6,5 A	24Vdc	156	IP20
CGE.017 - DALI	24Vdc	6,5 A	24Vdc	156	IP20
CGE.017.IP - DALI	24Vdc	6,5 A	24Vdc	156	IP67
CGE.020 - DMX	24Vdc	6,5 A	24Vdc	156	IP20

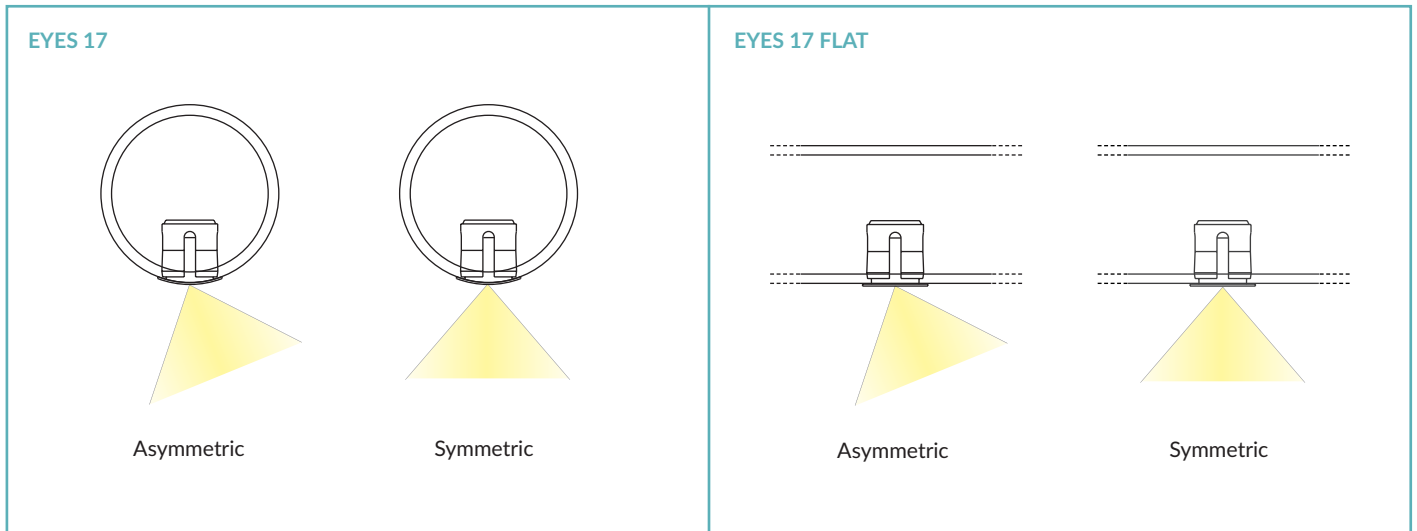
TYPICAL INSTALLATION



STANDARD OPTICS: Light from both sides

Path Width (W)	1.2m	2.0m	3.0m	4.0m
LED Spacing (S)	lx	lx	lx	lx
0.5m	296	179	121	92
1.0m	150	92	63	49
2.0m	78	49	34	27

OPTICS



PHOTOMETRICS

