



EXPLORER 65-2C

TECHNICAL DATASHEET

PROJECT INFORMATION

Project Name:

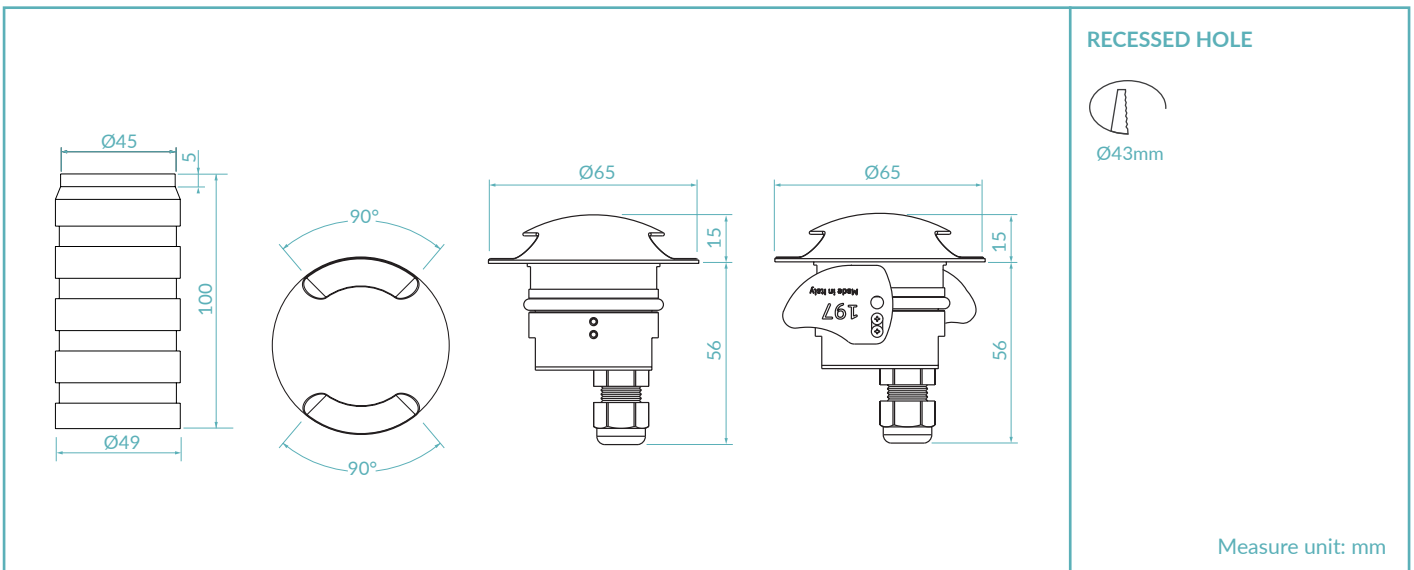
Reference:

Quantity:



IP68
 MADE IN ITALY

TECHNICAL DRAWING




FINISHES



PRODUCT CODE

E65-2C = EXPLORER 65-2C

Select one component from each column to specify a complete configuration:

	LED colour	Optics	Finish	Power
	22 = 2200K 27 = 2700K 30 = 3000K 40 = 4000K	R = 90°	10 = Aged solid brass 17 = Stone washed stainless steel AISI316L 21 = Pre-aged solid brass	02 = 2W

Standard configuration example:

E65-2C.30.R.10.02 | Explorer 65-2C 3000K 90° optics aged solid brass 2W

TECHNICAL SHEET

LIGHTING CHARACTERISTICS

Color Rendering Index	CRI > 90
Lumen output (source)	140 lm (3000K)
Lumen output (delivered)	2x20 lm (3000K)
Optics	90°
LED colour temperature	2200K / 2700K / 3000K / 4000K
LED lifetime	50000h L95 B10 (Ta 25°C)
Bin selection	Binning free 2 step MacAdam's

MECHANICAL CHARACTERISTICS

Body	Stainless Steel AISI316L - Anodized aluminium 6026 / Solid brass - Anodized aluminium 6026
Glass	PMMA 3mm
Finishes	Aged solid brass / Stone washed stainless Steel AISI316L / Pre-aged solid brass
Installation	Housing box / Fixing springs
Impact resistance	IK10
Weight	241g

ELECTRICAL CHARACTERISTICS

Power supply	Constant voltage 24Vdc
Power supply cables	35cm NS20N PCP 2x0,5mm ²
Power consumption	2 Watt
Dimmable	Dimmable

GENERAL CHARACTERISTICS

Operating temperature	-20°C +50°C
IP rating	IP68 (not for permanent immersion)
Insulation class	Class III
Photobiological risk	RG0/RG1

ACCESSORIES



Housing box

Art. Nr.
HB.009



Fixing springs

Art. Nr.
ACC.050



Cable

Art. Nr.
CV00037
CV00040
CV00041
CV00042
CV00043

Length
5m
10m
15m
20m
25m

POWER SUPPLIES 24Vdc CONSTANT VOLTAGE

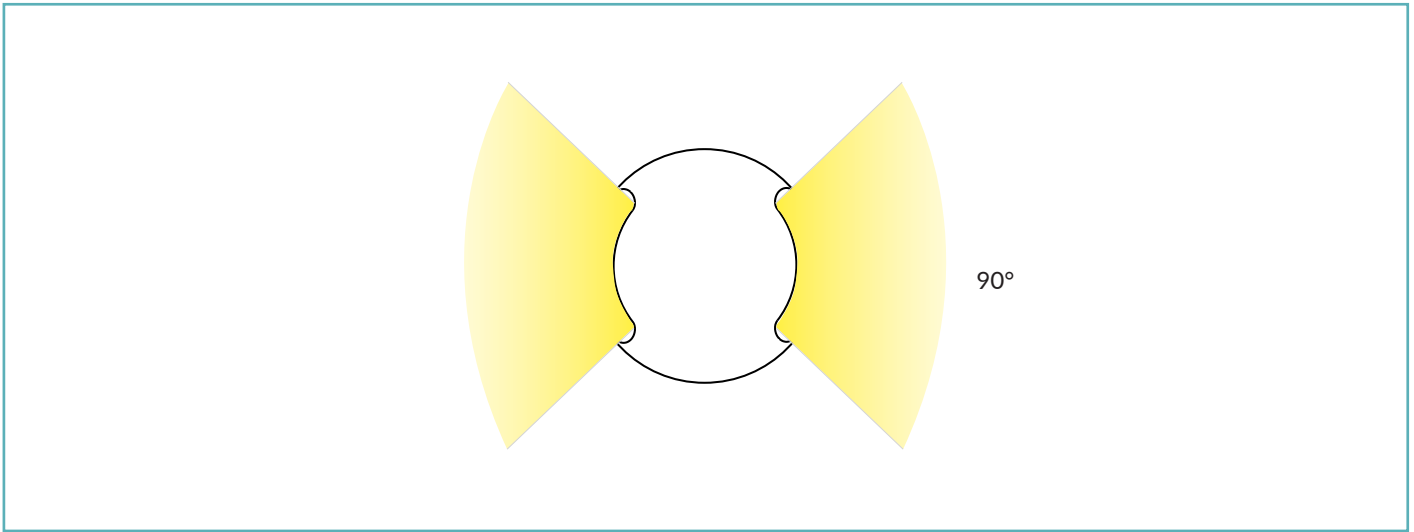
On / Off

Code	Input	I Out	V Out	Watt	IP
PSU.CX.004	110÷240V / 50/60 Hz	0,9A	24Vdc	20	IP20
PSU.CV.005	90÷305V / 47/63 Hz	1 A	24Vdc	25	IP67
PSU.CV.006	90÷305V / 47/63 Hz	2,5 A	24Vdc	60	IP67
PSU.CV.007	90÷305V / 47/63 Hz	3,75 A	24Vdc	90	IP67

Control Gear

Code	Input	I Out	V Out	Watt	IP
CGE.004 - 0/1-10V	24Vdc	6,5 A	24Vdc	156	IP20
CGE.017 - DALI	24Vdc	6,5 A	24Vdc	156	IP20
CGE.017.IP - DALI	24Vdc	6,5 A	24Vdc	156	IP67
CGE.020 - DMX	24Vdc	6,5 A	24Vdc	156	IP20

OPTICS



PHOTOMETRICS

