



# EXPLORER 125-1

TECHNICAL DATASHEET

## PROJECT INFORMATION

Project Name:

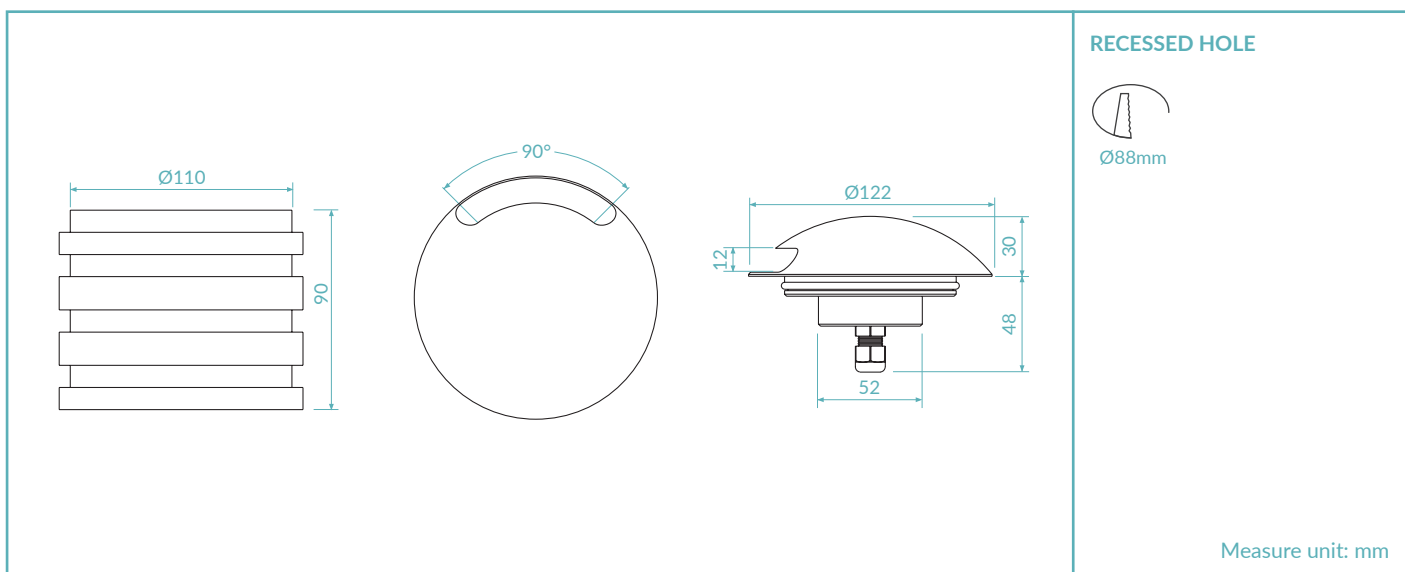
Reference:

Quantity:

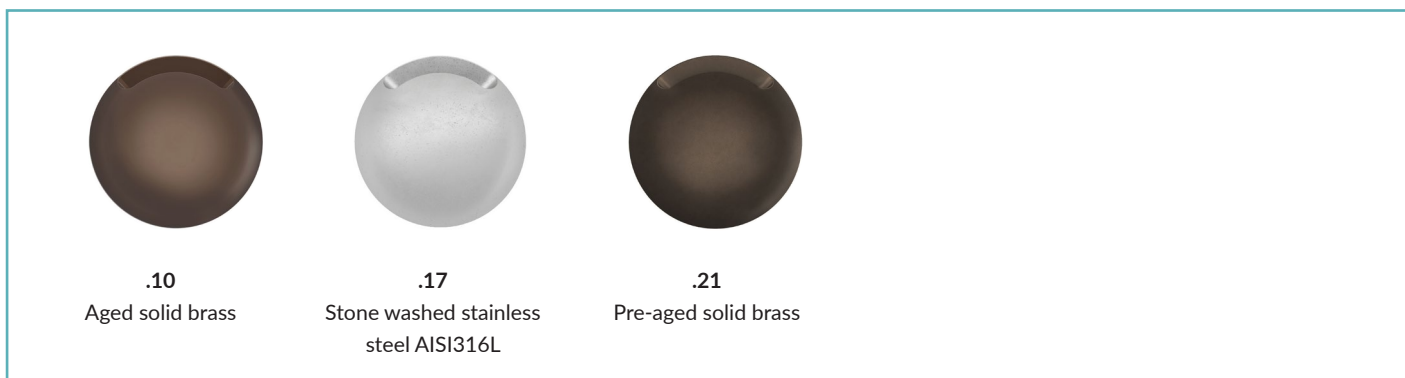


MADE IN ITALY

## TECHNICAL DRAWING




## FINISHES



## PRODUCT CODE

**E125-1 = EXPLORER 125-1**

Select one component from each column to specify a complete configuration:

	LED colour	Optics	Finish	Power
	27 = 2700K 30 = 3000K 40 = 4000K	R = 90°	10 = Aged solid brass 17 = Stone washed stainless steel AISI316L 21 = Pre-aged solid brass	05 = 5W 09 = 9W

Standard configuration example:

**E125-1.30.R.17.09** | Explorer 125-1 3000K 90° optics stone washed stainless steel 9W

## TECHNICAL SHEET

### LIGHTING CHARACTERISTICS

Color Rendering Index	CRI > 90
Lumen output (source)	630 lm / 840 lm (3000K)
Lumen output (delivered)	72 lm / 96 lm (3000K)
Optics	90°
LED colour temperature	2700K / 3000K / 4000K
LED lifetime	50000h L95 B10 (Ta 25°C)
Bin selection	Binning free 2 step MacAdam's

### MECHANICAL CHARACTERISTICS

Body	Stainless Steel AISI316L - Anodized aluminium 6026 / Solid brass - Anodized aluminium 6026
Glass	Tempered extra clear 4mm
Finishes	Stone washed stainless Steel AISI316L / Aged solid brass / Pre-aged solid brass
Installation	Housing box
Impact resistance	IK10
Weight	1,2kg

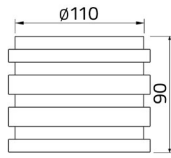
### ELECTRICAL CHARACTERISTICS

Power supply	Constant voltage 24Vdc
Power supply cables	35cm NS20N PCP 2x0,5mm <sup>2</sup>
Power consumption	5 Watt / 9 Watt
Dimmable	Dimmable

### GENERAL CHARACTERISTICS

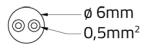
Operating temperature	-20°C +50°C
IP rating	IP68
Insulation class	Class III
Photobiological risk	RG0/RG1

## ACCESSORIES



Housing box

Art. Nr.  
HB.012



Cable

Art. Nr.  
CV00037  
CV00040  
CV00041  
CV00042  
CV00043

Length  
5m  
10m  
15m  
20m  
25m

## POWER SUPPLIES 24Vdc CONSTANT VOLTAGE

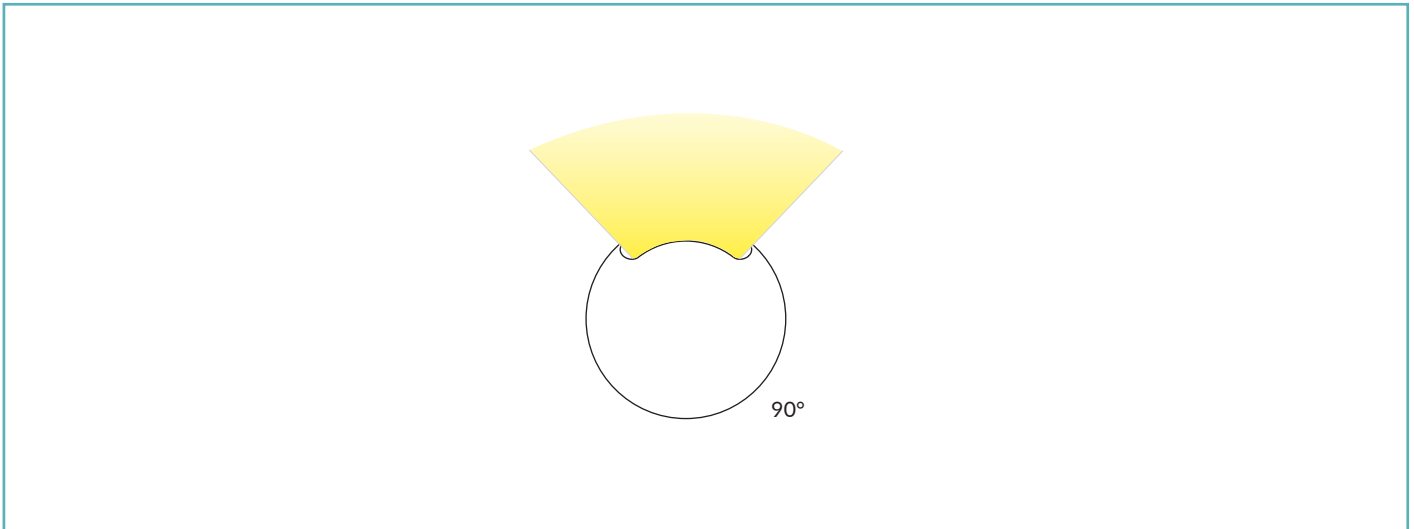
## On / Off

Code	Input	I Out	V Out	Watt	IP
PSU.CX.004	220÷240V / 50/60 Hz	0,9A	24Vdc	20	IP20
PSU.CV.005	90÷305V / 47/63 Hz	1 A	24Vdc	25	IP67
PSU.CV.006	90÷305V / 47/63 Hz	2,5 A	24Vdc	60	IP67
PSU.CV.007	90÷305V / 47/63 Hz	3,75 A	24Vdc	90	IP67
PSU.CV.021	90÷305V / 47/63 Hz	10 A	24Vdc	240	IP67

## Control Gear

Code	Input	I Out	V Out	Watt	IP
CGE.004 - 0/1-10V	24Vdc	12 A	24Vdc	288	IP20
CGE.017 - DALI	24Vdc	12 A	24Vdc	288	IP20
CGE.017.IP - DALI	24Vdc	12 A	24Vdc	288	IP67
CGE.020 - DMX	24Vdc	6,5 A	24Vdc	156	IP20

## OPTICS



## PHOTOMETRICS

