



# CROSS 65 R

TECHNICAL DATASHEET

## PROJECT INFORMATION

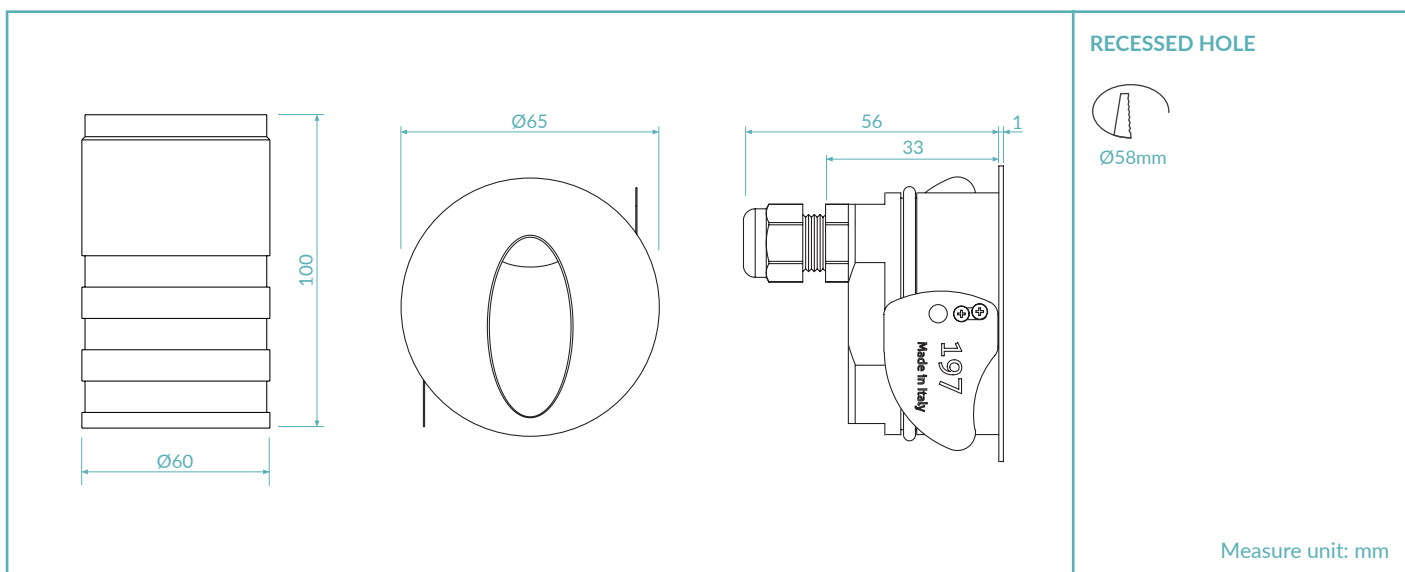
Project Name:

Reference:

Quantity:




## TECHNICAL DRAWING



## FINISHES



## PRODUCT CODE

<b>C6R = CROSS 65 R</b>	Select one component from each column to specify a complete configuration:			
	LED colour	Optics	Finish	Power
	22 = 2200K 27 = 2700K 30 = 3000K 40 = 4000K	A = Asymmetric	05 = Black anodized 07 = Natural anodized 16 = Flamed bronze	02 = 2W

Standard configuration example:

**C6R.30.A.05.02** | Cross 65 R 3000K asymmetric optics black anodized 2W

## TECHNICAL SHEET

### LIGHTING CHARACTERISTICS

Color Rendering Index	CRI > 90
Lumen output (source)	140 lm (3000K)
Lumen output (delivered)	30 lm (3000K)
Optics	Asymmetric
LED colour temperature	2200K / 2700K / 3000K / 4000K
LED lifetime	50000h L95 B10 (Ta 25°C)
Bin selection	Binning free 2 step MacAdam's

### MECHANICAL CHARACTERISTICS

Body	Anodized aluminium 6026
Finishes	Black anodized / Natural anodized / Flamed bronze
Installation	Housing box / Fixing springs
Weight	198g

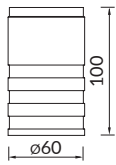
### ELECTRICAL CHARACTERISTICS

Power supply	Constant voltage 24Vdc
Power supply cables	35cm NS20N PCP 2x0,5mm <sup>2</sup>
Power consumption	2 Watt
Dimmable	Dimmable

### GENERAL CHARACTERISTICS

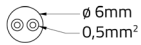
Operating temperature	-20°C +50°C
IP rating	IP65
Insulation class	Class III
Photobiological risk	RG0/RG1

ACCESSORIES



Housing box

Art. Nr.  
HB.016



Cable

Art. Nr.  
CV00037  
CV00040  
CV00041  
CV00042  
CV00043

Length  
5m  
10m  
15m  
20m  
25m

## POWER SUPPLIES 24Vdc CONSTANT VOLTAGE

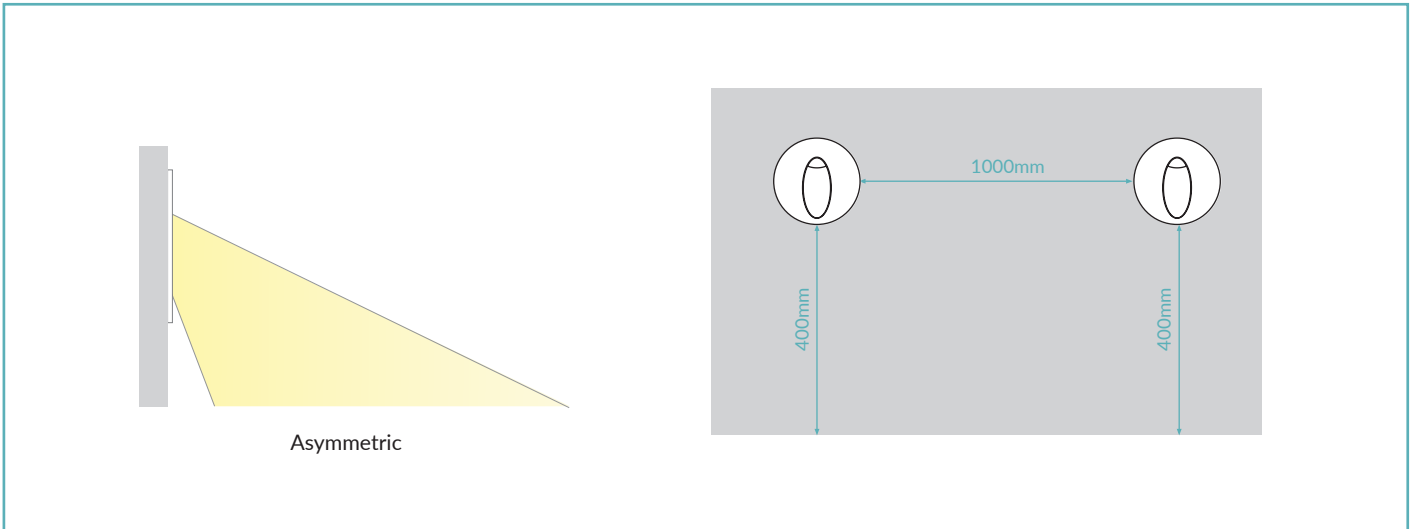
## On / Off

Code	Input	I Out	V Out	Watt	IP
PSU.CX.004	110÷240V / 50/60 Hz	0,9 A	24Vdc	20	IP20
PSU.CV.005	90÷305V / 47/63 Hz	1 A	24Vdc	25	IP67
PSU.CV.006	90÷305V / 47/63 Hz	2,5 A	24Vdc	60	IP67
PSU.CV.007	90÷305V / 47/63 Hz	3,75 A	24Vdc	90	IP67
PSU.CV.021	90÷305V / 47/63 Hz	10 A	24Vdc	240	IP67

## Control Gear

Code	Input	I Out	V Out	Watt	IP
CGE.004 - 0/1-10V	24Vdc	6,5 A	24Vdc	156	IP20
CGE.017 - DALI	24Vdc	10 A	24Vdc	240	IP20
CGE.017.IP - DALI	24Vdc	10 A	24Vdc	240	IP67
CGE.020 - DMX	24Vdc	6,5 A	24Vdc	156	IP20

## OPTICS



## PHOTOMETRICS

