



CALIBER 25 XS

TECHNICAL DATASHEET

PROJECT INFORMATION

Project Name:

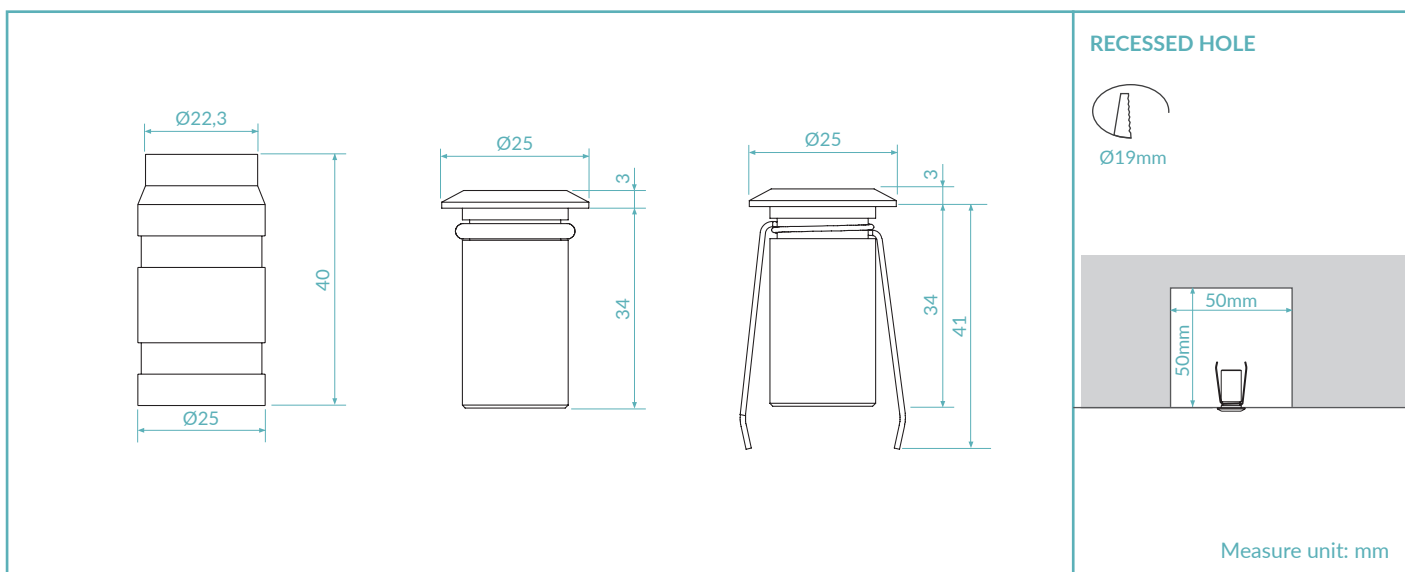
Reference:

Quantity:



CE IP68
MADE IN ITALY


TECHNICAL DRAWING



FINISHES



PRODUCT CODE

| <p>CXS = CALIBER 25 XS</p>  | Select one component from each column to specify a complete configuration: | | |
|---|--|---|------------|
| | LED colour | Optics | Finish |
| 22 = 2200K 27 = 2700K 30 = 3000K 40 = 4000K | N = 10° W = 40° S = Satin | 03 = Stainless steel AISI316L 05 = Black anodized 07 = Natural anodized | CC = 350mA |

Standard configuration example:

CXS.30.N.03.CC | Caliber 25 XS 3000K 10° optics stainless steel 350mA

TECHNICAL SHEET

LIGHTING CHARACTERISTICS

| | |
|--------------------------|-------------------------------|
| Color Rendering Index | CRI > 90 |
| Lumen output (source) | 110 lm (3000K) |
| Lumen output (delivered) | 89 lm (3000K) |
| Optics | 10° / 40° / Satin |
| LED colour temperature | 2200K / 2700K / 3000K / 4000K |
| LED lifetime | 50000h L95 B10 (Ta 25°C) |
| Bin selection | Binning free 2 step MacAdam's |

MECHANICAL CHARACTERISTICS

| | |
|-------------------|--|
| Body | Stainless Steel AISI316L - Anodized aluminium 6026 |
| Glass | Extra clear / frosted glass 2mm |
| Finishes | Stainless Steel AISI316L / Black anodized / Black anodized |
| Installation | Housing box / Fixing springs |
| Impact resistance | IK05 |
| Weight | 50g |

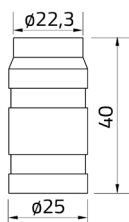
ELECTRICAL CHARACTERISTICS

| | |
|---------------------|-------------------------------------|
| Power supply | Constant current 350mA |
| Power supply cables | 35cm NS20N PCP 2x0,5mm ² |
| Power consumption | 1 Watt |
| Dimmable | Dimmable |

GENERAL CHARACTERISTICS

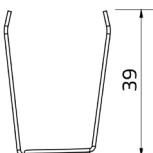
| | |
|-----------------------|------------------------------------|
| Operating temperature | -20°C +50°C |
| IP rating | IP68 (not for permanent immersion) |
| Insulation class | Class III |
| Photobiological risk | RG0/RG1 |

ACCESSORIES



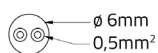
Housing box

Art. Nr.
HB.005



Fixing springs

Art. Nr.
ACC.049



Cable

Art. Nr.
CV00037
CV00040
CV00041
CV00042
CV00043

Length
5m
10m
15m
20m
25m

POWER SUPPLIES 350mA CONSTANT CURRENT

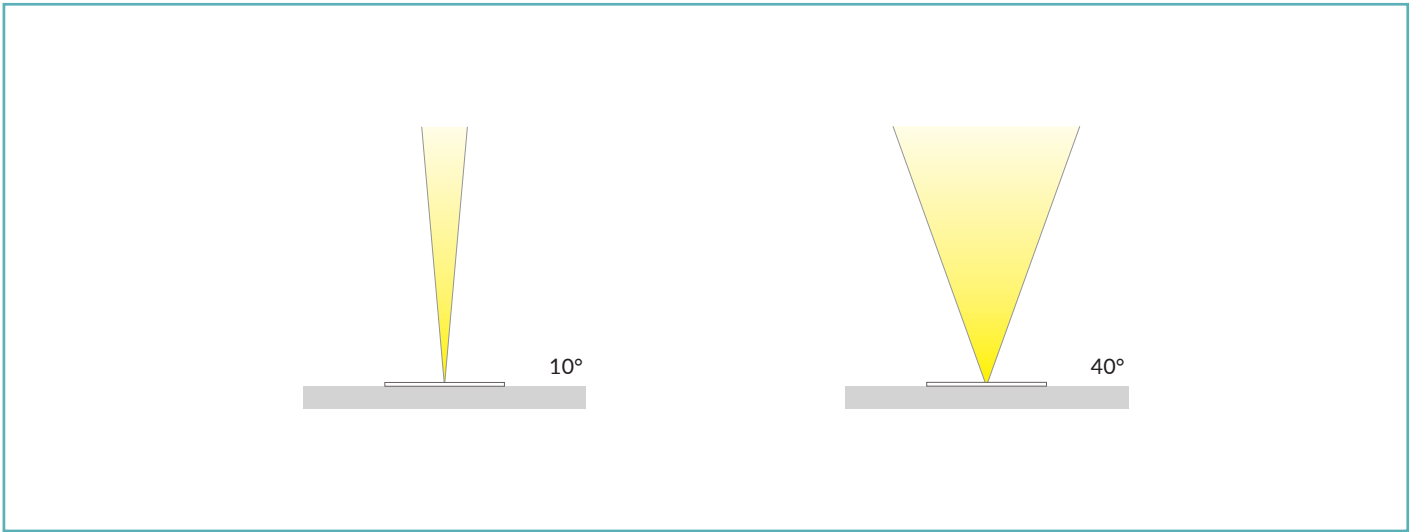
On / Off

| Code | Input | I Out | V Out | Watt | IP |
|------------|---------------------|-------|-------|------|------|
| PSU.CC.002 | 100÷240V / 50/60 Hz | 350mA | 36 V | 12 | IP20 |
| PSU.CC.003 | 100÷240V / 50/60 Hz | 350mA | 43 V | 15 | IP20 |
| PSU.CC.014 | 100÷240V / 50/60 Hz | 350mA | 24 V | 8 | IP20 |
| PSU.CX.004 | 110÷240V / 50/60 Hz | 350mA | 43 V | 15 | IP20 |

Dimmable

| Code | Input | I Out | V Out | Watt | IP |
|-----------------------|---------------------|-------|-------|------|------|
| PSU.CX.001 1-10V/PUSH | 100÷240V / 50/60 Hz | 350mA | 47 V | 15 | IP20 |
| PSU.CC.022 DALI | 100÷240V / 50/60 Hz | 350mA | 40 V | 20 | IP20 |

OPTICS



PHOTOMETRICS

