



VARIO 100

TECHNICAL DATASHEET

PROJECT INFORMATION

Project Name:

Reference:

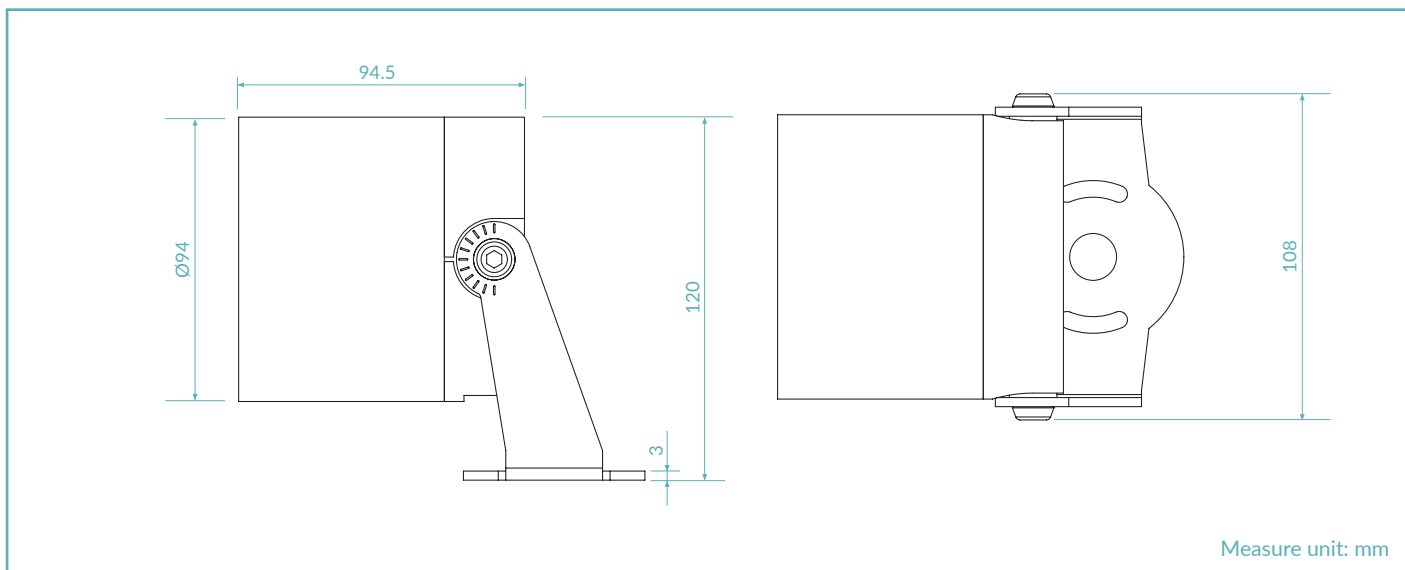
Quantity:



IP66

MADE IN ITALY

TECHNICAL DRAWING




FINISHES



.02
Black RAL 9005

PRODUCT CODE

V100 = VARIO 100	Select one component from each column to specify a complete configuration:			
	LED colour	Optics	Finish	Power
	27 = 2700K 30 = 3000K 40 = 4000K	N = 10° M = 20° W = 40° F = 55° E = 10°x45°	02 = Black RAL 9005	20 = 20W

Standard configuration example:

V100.27.F.02.20 | Vario 100 2700K 55° optics black RAL 9005 20W

TECHNICAL SHEET

LIGHTING CHARACTERISTICS

Color Rendering Index	CRI > 90
Lumen output (source)	2090 lm (3000K)
Lumen output (delivered)	1687 lm (3000K)
Optics	10° / 20° / 40° / 55° / 10°x45°
LED colour temperature	2700K / 3000K / 4000K
LED lifetime	50000h L95 B10 (Ta 25°C)
Bin selection	Binning free 2 step MacAdam's

MECHANICAL CHARACTERISTICS

Body	Anodized aluminium 6026
Glass	Extra clear tempered glass 5 mm
Finishes	Black RAL 9005
Installation	Surface mounted / Ground spike
Impact resistance	IK08
Weight	700g

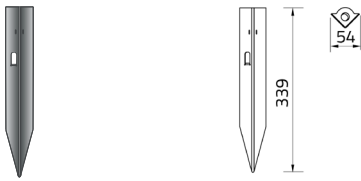
ELECTRICAL CHARACTERISTICS

Power supply	Constant voltage 48Vdc
Power supply cables	135cm NS20N PCP 2x0,5mm ²
Power consumption	20 Watt
Dimmable	Dimmable

GENERAL CHARACTERISTICS

Operating temperature	-20°C +50°C
IP rating	IP66
Insulation class	Class III
Photobiological risk	RG0/RG1

ACCESSORIES

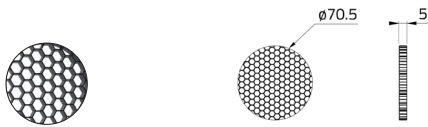


Ground spike

Art. Nr.
ACC.204

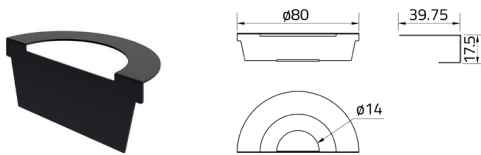
Finishes
.02 = Black RAL 9005

Length
.035 = 350mm



Honeycomb louver

Art. Nr.
ACC.070



Anti-Glare louver

Art. Nr.
ACC.064

POWER SUPPLIES 48Vdc CONSTANT VOLTAGE

On / Off

Code	Input	I Out	V Out	Watt	IP
PSU.CV.015	90÷305V / 50/60 Hz	0,84 A	48Vdc	40	IP67
PSU.CV.016	90÷305V / 47/63 Hz	2,5 A	48Vdc	120	IP67
PSU.CV.017	90÷305V / 47/63 Hz	5 A	48Vdc	240	IP67
PSU.CV.018	90÷305V / 47/63 Hz	6,7 A	48Vdc	320	IP67

Control Gear

Code	Input	I Out	V Out	Watt	IP
CGE.004 - 0/10-10V	48Vdc	12 A	48Vdc	576	IP20
CGE.017 - DALI	48Vdc	12 A	48Vdc	576	IP20
CGE.017.IP - DALI	48Vdc	12 A	48Vdc	576	IP67
CGE.020 - DMX	48Vdc	6,5 A	48Vdc	312	IP20

OPTICS

